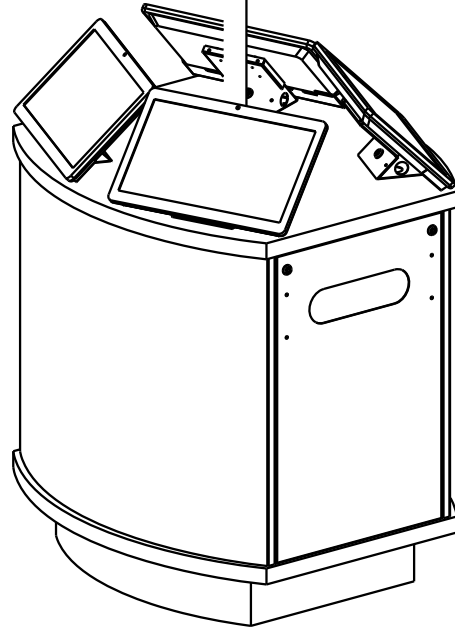


ZONE	LTR	DESCRIPTION	DATE	APPROVED

B

ISLAND KIOSK WITH OPTIONAL 4 HEADS, MAST AND THERMAL PRINTER.



A

NOTES

1. THIS IS A CUSTOMER DRAWING DO NOT REFERENCE FOR MANUFACTURING. IT IS FOR CUSTOMERS TO REFERENCE ONLY.
2. THIS IS A ENGINEERING MODEL OF THE COUNTERTOP KIOSK ALL FEATURS ARE SHOWN. HOLES THAT ARE SHOWN ARE FILLED WITH FLAT HEAD SCREWS. NO ELECTRONICS ARE SHOWN.

DO NOT SCALE FROM PRINT!		DWG INTERPRETATION: ASME Y14.5M-1994 UNLESS OTHERWISE SPECIFIED:		H32 DESIGN AND DEVELOPMENT LLC, 603-865-1000 PO BOX 234, WILMOT NH 03287, www.H32.com Advanced kiosks is a dba of H32	
INSPECTION		DIMENSIONS IN: INCHES		TITLE: ISLAND KIOSK CUSTOMER DWG	
PART STATUS:		TOLERANCES: ± .01		SIZE: D	
LEGEND:		SURFACE FINISH: 125		DRAWING NUMBER: H32 - 500 - C	
" CRITICAL DIMENSION " MAJOR DIMENSION " MINOR DIMENSION		THIRD ANGLE PROJECTION		REV: -	
THIS DRAWING IS PROPRIETARY AND CONSIDERED CONFIDENTIAL. NO REPRODUCTION MAY BE MADE WITHOUT WRITTEN PERMISSION FROM H32 DESIGN AND DEVELOPMENT LLC.		SCALE:		SHEET: 1 OF 5	

2

1



For questions regarding this drawing or product please contact an Advanced Kiosks technical sales representative.
Advanced Kiosks | 134 Hall Street, Units F/G, Concord, NH 03301 | 603-865-1000 | www.advancedkiosks.com

ZONE	LTR	DESCRIPTION	DATE	APPROVED

B

A

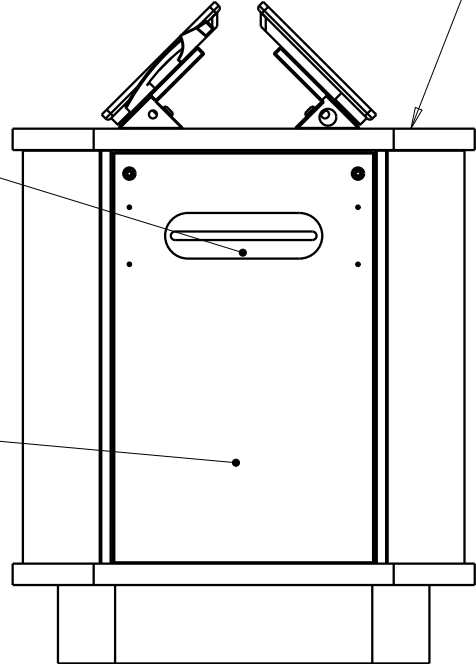
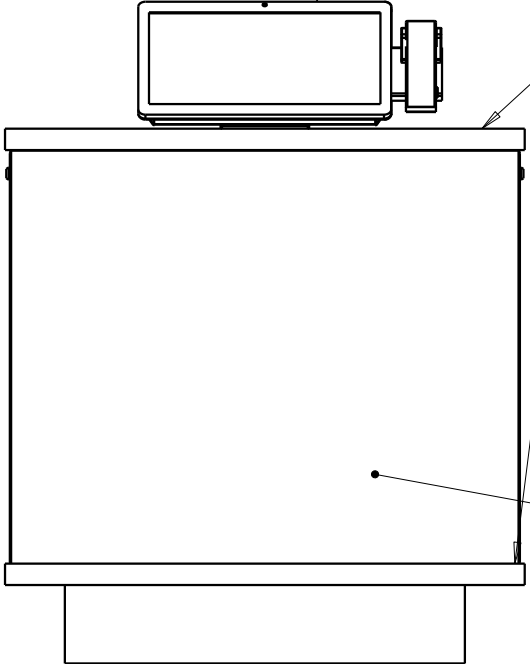
EACH HEAD INCLUDE A 19 INCH TOUCH SCREEN MONITOR AND COMPUTER. OPTIONAL PHONE HANDSET SHOWN.

WITH 2 HEADS THERE IS ROOM FOR A STANDARD KEYBOARD AND MOUSE.

HARDWOOD FINISHED WITH MARINE LACQUER

EITHER END CAN HAVE A FULL SIZED LASER PRINTER OR THERMAL PRINTER.

BRUSHED STAINLESS STEEL



FRONT VIEW

ISLAND KIOSK WITH 2 HEADS AND PHONE HANDSET OPTION

SIDE VIEW

THIS DRAWING IS PROPRIETARY AND CONSIDERED CONFIDENTIAL. NO REPRODUCTION MAY BE MADE WITHOUT WRITTEN PERMISSION FROM H32 DESIGN AND DEVELOPMENT LLC. WWW.H32.COM	SIZE:	DRAWING TITLE:	REV:
	B	ISLAND KIOSK CUSTOMER DWG -	
DWG #:	H32 - 500 - C	SHEET:	2 OF 5

2

11

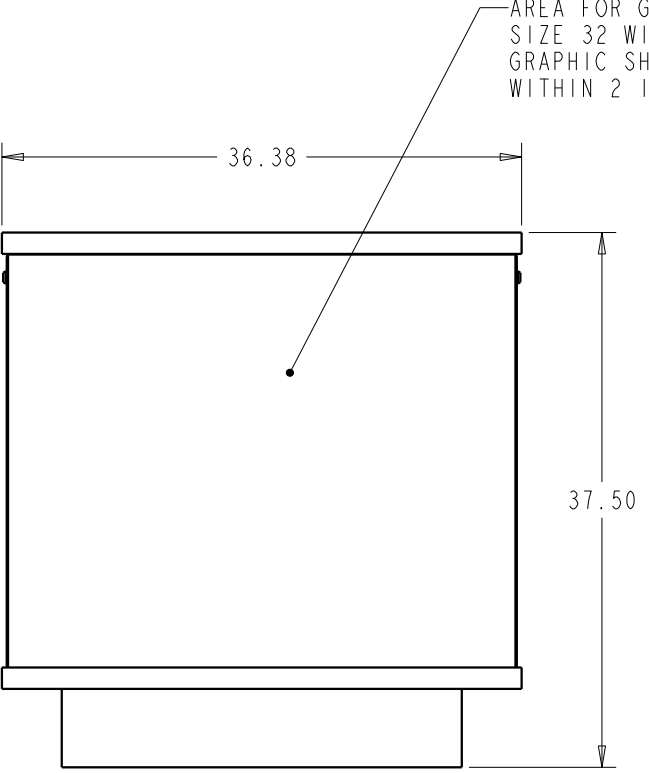


For questions regarding this drawing or product please contact an Advanced Kiosks technical sales representative.
 Advanced Kiosks | 134 Hall Street, Units F/G, Concord, NH 03301 | 603-865-1000 | www.advancedkiosks.com

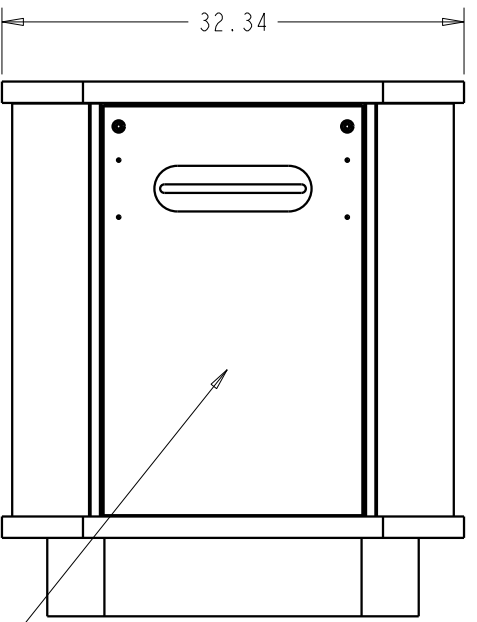
ZONE	LTR	DESCRIPTION	DATE	APPROVED

B

A



FRONT VIEW



SIDE VIEW

ISLAND KIOSK NO HEADS

<small>THIS DRAWING IS PROPRIETARY AND CONSIDERED CONFIDENTIAL. NO REPRODUCTION MAY BE MADE WITHOUT WRITTEN PERMISSION FROM H32 DESIGN AND DEVELOPMENT LLC. WWW.H32.COM</small>	<small>SIZE:</small> B	<small>DRAWING TITLE:</small> ISLAND KIOSK CUSTOMER	<small>REV:</small> DWG -
	<small>DWG #:</small> H32 - 500 - C	<small>SHEET:</small> 3 OF 5	

2

11



For questions regarding this drawing or product please contact an Advanced Kiosks technical sales representative.
 Advanced Kiosks | 134 Hall Street, Units F/G, Concord, NH 03301 | 603-865-1000 | www.advancedkiosks.com

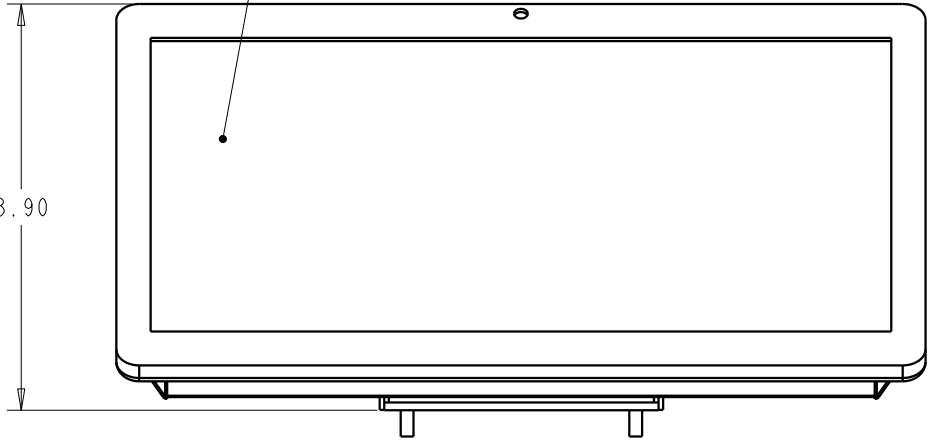
ZONE	LTR	DESCRIPTION	DATE	APPROVED

B

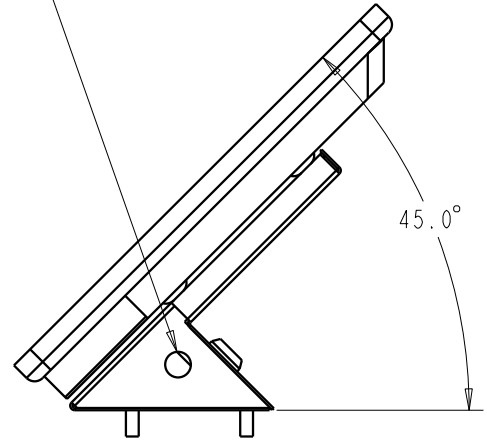
19 INCH DUAL TOUCH MONITOR

KNOCKOUT FOR OPTIONAL PHONE
HANDSET OR USB CONNECTION FOR
KEYBOARD AND MOUSE.

8.90



FRONT VIEW



45.0°

SIDE VIEW

A

2

11

<small>THIS DRAWING IS PROPRIETARY AND CONSIDERED CONFIDENTIAL. NO REPRODUCTION MAY BE MADE WITHOUT WRITTEN PERMISSION FROM H32 DESIGN AND DEVELOPMENT LLC. WWW.H32.COM</small>	<small>SIZE:</small> B	<small>DRAWING TITLE:</small> SLAND KIOSK CUSTOMER DWG -	<small>REV:</small>
	<small>DWG #:</small> H32 - 500 - C	<small>SHEET:</small> 4 OF 5	

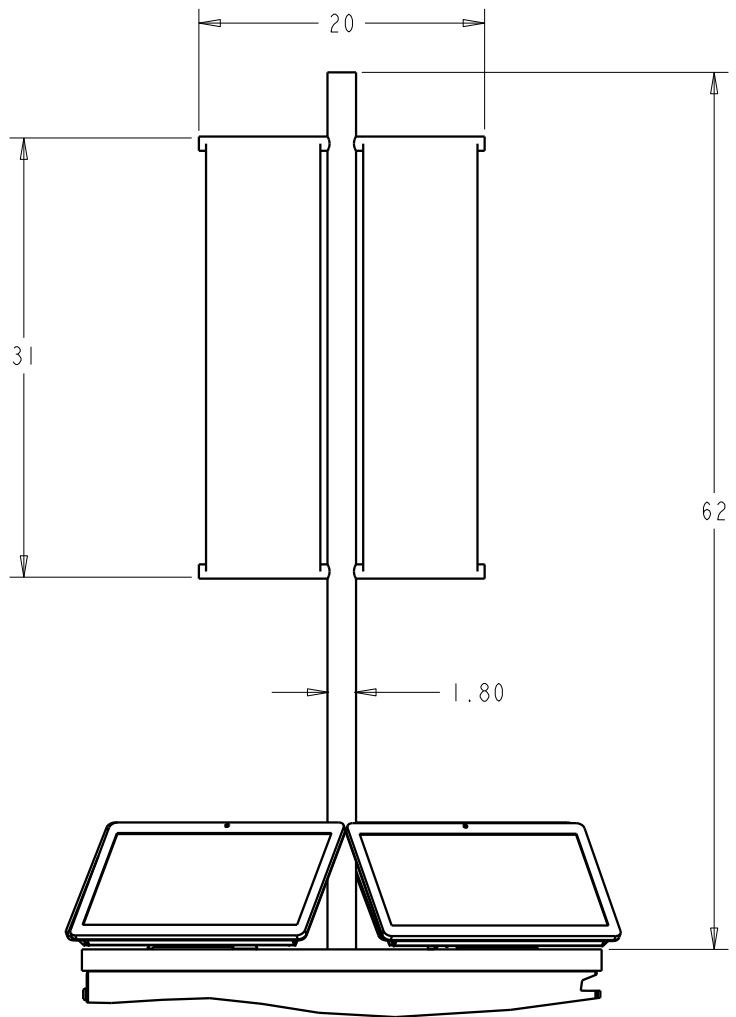


For questions regarding this drawing or product please contact an Advanced Kiosks technical sales representative.
Advanced Kiosks | 134 Hall Street, Units F/G, Concord, NH 03301 | 603-865-1000 | www.advancedkiosks.com

ZONE	LTR	DESCRIPTION	DATE	APPROVED

B

A



OPTIONAL MAST

THIS DRAWING IS PROPRIETARY AND CONSIDERED CONFIDENTIAL. NO REPRODUCTION MAY BE MADE WITHOUT WRITTEN PERMISSION FROM H32 DESIGN AND DEVELOPMENT LLC. WWW.H32.COM	SIZE: B	DRAWING TITLE: ISLAND KIOSK CUSTOMER	REV: DWG -
	DWG #:	H32 - 500 - C	SHEET: 5 OF 5

2

11



For questions regarding this drawing or product please contact an Advanced Kiosks technical sales representative.
 Advanced Kiosks | 134 Hall Street, Units F/G, Concord, NH 03301 | 603-865-1000 | www.advancedkiosks.com