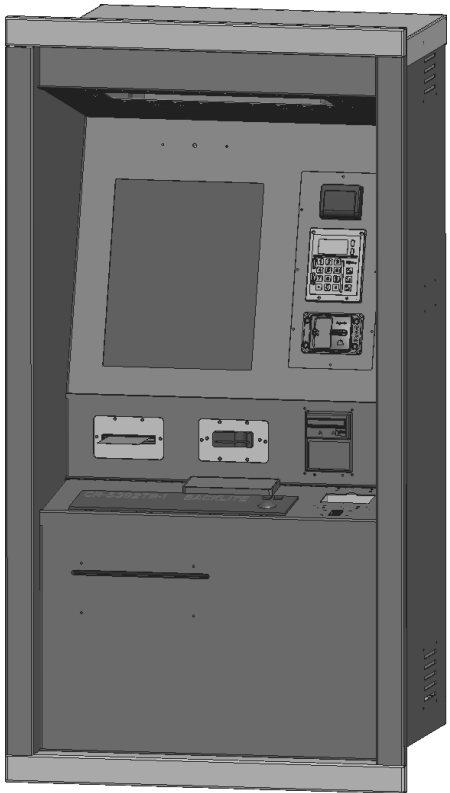


ZONE	LTR	DESCRIPTION	DATE	APPROVED

NOTES

1. THIS IS A CUSTOMER DRAWING DO NOT REFERENCE FOR MANUFACTURING. IT IS FOR CUSTOMERS TO REFERENCE ONLY.
2. THIS IS A ENGINEERING MODEL OF THE THRU-THE-WALL KIOSK ALL FEATURES ARE SHOWN. HOLES THAT ARE SHOWN ARE FILLED WITH FLAT HEAD SCREWS OR ARE FILLED IN DURING THE WELDING PROCESS.
3. THIS DRAWING IS TO COMMUNICATE TO CUSTOMERS THE SIZE OF THE DOCUMENT KIOSK FOR GRAPHICAL LAMINATES, MOUNTING POINTS, AND FOR PERIFERIAL LOCATION AND SIZE.
4. THE THRU-THE-WALL KIOSK IS DESIGNED TO PULL AIR FROM THE BUILDING THAT IT IS MOUNTED ON TO MAINTAIN TEMPERATURE IF THE BUILDING IS NOT ENVIROMENTALLY CONTROLLED THEN THE KIOSK MAY OVER HEAT OR FREEZE. CONSULT YOUR SALES ACCOCIATE.



ISOMETRIC VIEW

DO NOT SCALE FROM PRINT!		DWG INTERPRETATION: ASME Y14.5M-1994 UNLESS OTHERWISE SPECIFIED: DIMENSIONS IN: INCHES TOTAL TOLERANCE: .005INCH PERPENDICULARITY: .005INCH EDGE BREAKS: .005 INCH FILL: WHITE ARROWS: 1/8" DIA SURFACE ROUGHNESS: 125		H32 DESIGN AND DEVELOPMENT LLC, 603-865-1000 PO BOX 234, WILMOT NH 03287, www.H32.com Advanced kiosks is a dba of H32	
INSPECTION		TOLERANCES: XX.X XX.XX XX.XXX		TITLE: THRU THE WALL KIOSK CUTOMER DWG	
PART STATUS:		THIRD ANGLE PROJECTION		SIZE: D	DRAWING NUMBER: H32 - 800 - C
LEGEND: CRITICAL DIMENSION MAJOR DIMENSION MINOR DIMENSION (END *)		THIS DRAWING IS PROPRIETARY AND CONSIDERED CONFIDENTIAL. NO REPRODUCTION MAY BE MADE WITHOUT WRITTEN PERMISSION FROM H32 DESIGN AND DEVELOPMENT LLC.		REV: 2	SCALE: 1 OF 8

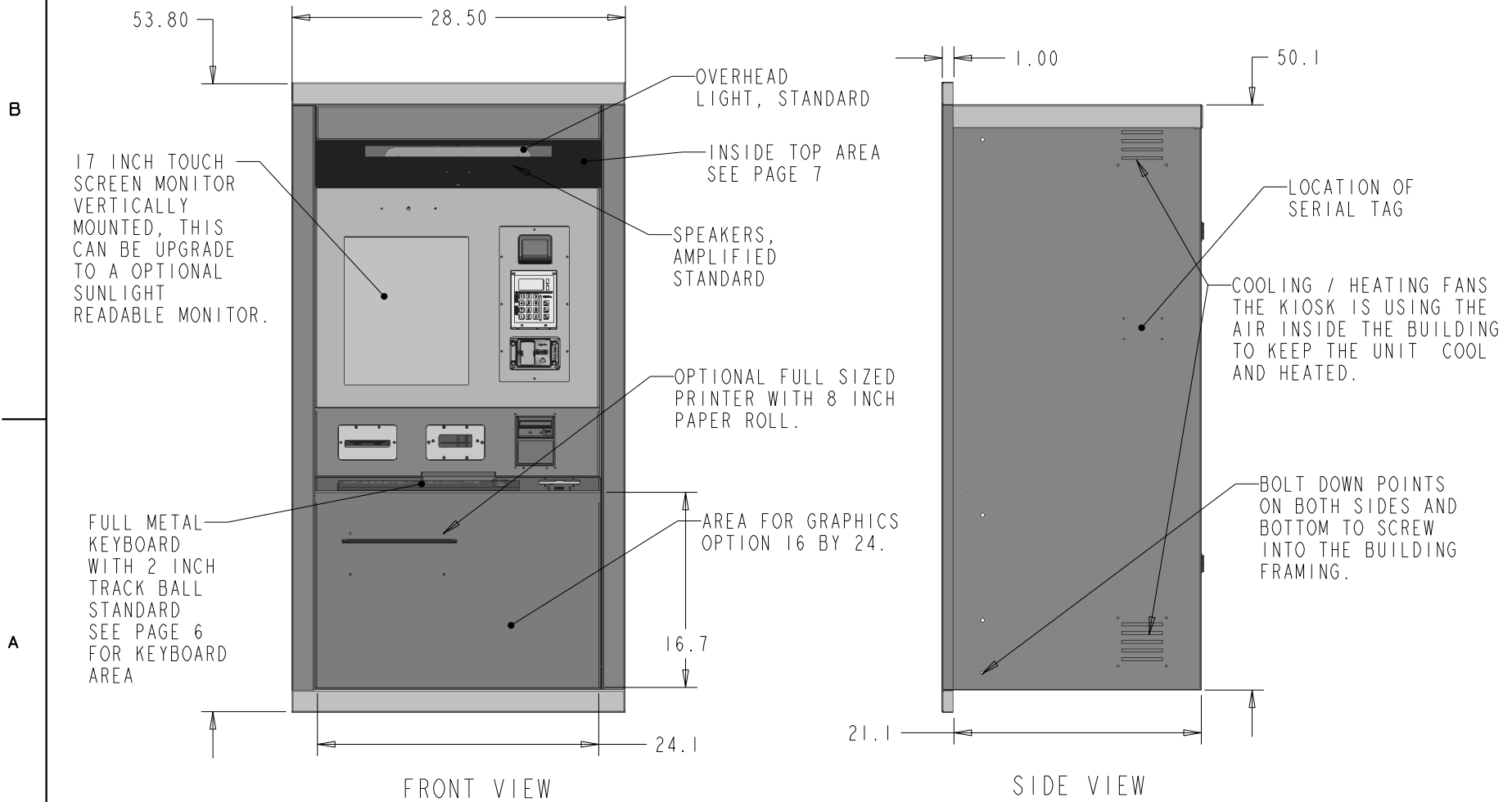
2

1



For questions regarding this drawing or product please contact an Advanced Kiosks technical sales representative.
 Advanced Kiosks | 134 Hall Street, Units F/G, Concord, NH 03301 | 603-865-1000 | www.advancedkiosks.com

ZONE	LTR	DESCRIPTION	DATE	APPROVED



THIS DRAWING IS PROPRIETARY AND CONSIDERED CONFIDENTIAL. NO REPRODUCTION MAY BE MADE WITHOUT WRITTEN PERMISSION FROM H32 DESIGN AND DEVELOPMENT LLC. WWW.H32.COM	SIZE:	DRABING TITLE:	REV:
	B	TTW KIOSK CUTOMER DWG	2
DWG #:	H32 - 800 - C		SHEET: 2 OF 8

2

11

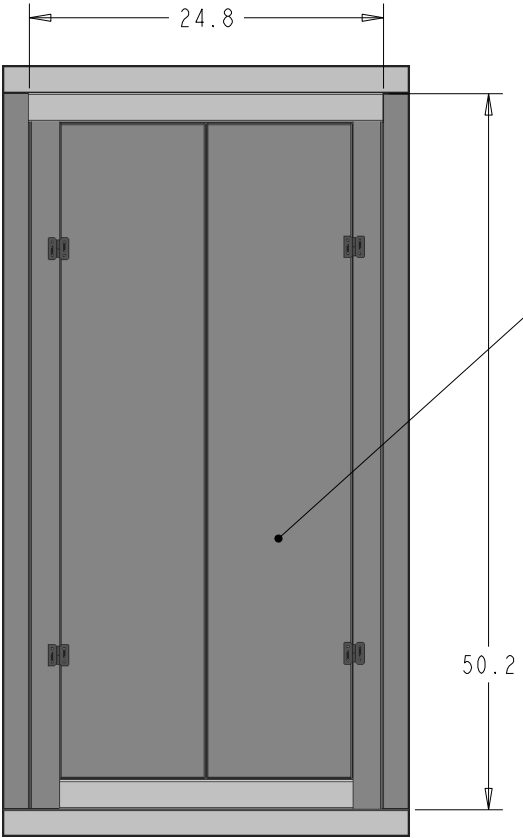


For questions regarding this drawing or product please contact an Advanced Kiosks technical sales representative.
 Advanced Kiosks | 134 Hall Street, Units F/G, Concord, NH 03301 | 603-865-1000 | www.advancedkiosks.com

ZONE	LTR	DESCRIPTION	DATE	APPROVED

B

A



BACK VIEW

THE BACK OF THE KIOSK HAS LOCKING DOORS BUT THESE ARE NOT FOR KEEPING OUT THE PUBLIC. THE DOORS ARE FOR KEEPING THE TEMP INSIDE OF THE KIOSK STABLE. THE BACK SIDE OF THE KIOSK SHOULD BE IN A SECURE AREA THAT IS HEATED AND/OR COOLED.

ALLOW 3 FEET OF CLEARANCE BEHIND THE KIOSK FOR ACCESS.

THIS DRAWING IS PROPRIETARY AND CONSIDERED CONFIDENTIAL. NO REPRODUCTION MAY BE MADE WITHOUT WRITTEN PERMISSION FROM H32 DESIGN AND DEVELOPMENT LLC. WWW.H32.COM	SIZE:	DRAWING TITLE:	REV:
	B	TTW KIOSK CUTOMER DWG	2
DWG #:	H32 - 800 - C	SHEET: 3 OF 8	

2

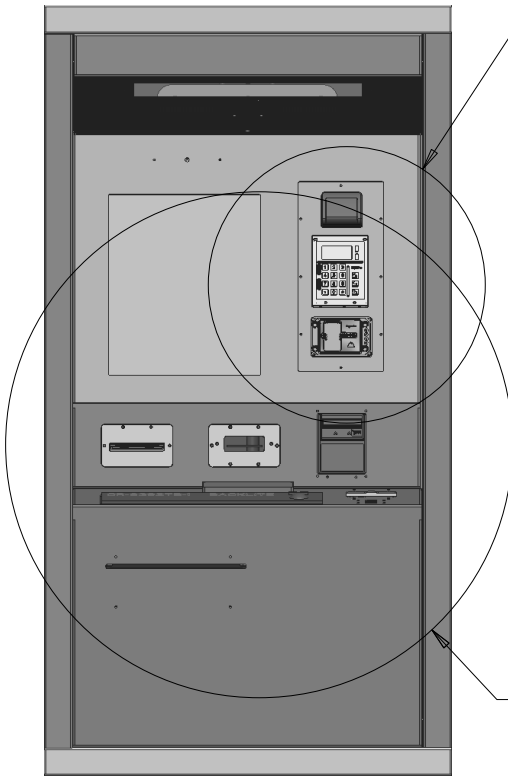
11



For questions regarding this drawing or product please contact an Advanced Kiosks technical sales representative.
 Advanced Kiosks | 134 Hall Street, Units F/G, Concord, NH 03301 | 603-865-1000 | www.advancedkiosks.com

ZONE	LTR	DESCRIPTION	DATE	APPROVED

B

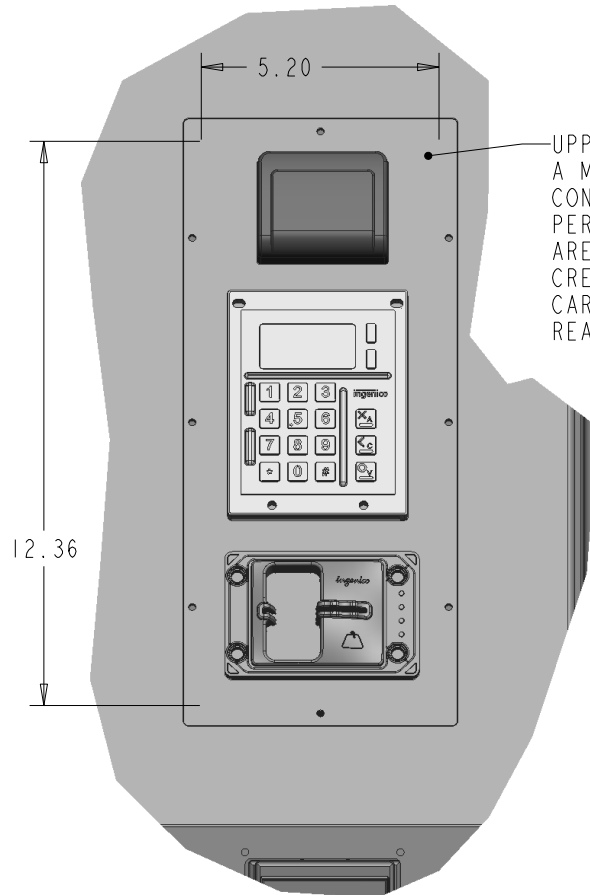


DETAIL A
UPPER PATCH

A

DETAIL B
LOWER PATCHES
SEE PAGE 5

FRONT VIEW



UPPER PATCH - THIS PATCH IS A METAL PLATE THAT CAN BE CONFIGURED TO HOLD MANY PERIPHERALS. SHOWN HERE ARE THE OPTIONAL INGENICO CREDIT CARD READER, DEBIT CARD PIN PAD AND CONTACTLESS READER.

DETAIL A
SCALE 0.400

THIS DRAWING IS PROPRIETARY AND CONSIDERED CONFIDENTIAL. NO REPRODUCTION MAY BE MADE WITHOUT WRITTEN PERMISSION FROM H32 DESIGN AND DEVELOPMENT LLC. WWW.H32.COM	SIZE:	DRAWING TITLE:	REV:
	B	TTW KIOSK CUTOMER DWG	2
	DWG #:	SHEET:	
	H32 - 800 - C	4 OF 8	

2

11



For questions regarding this drawing or product please contact an Advanced Kiosks technical sales representative.

Advanced Kiosks | 134 Hall Street, Units F/G, Concord, NH 03301 | 603-865-1000 | www.advancedkiosks.com

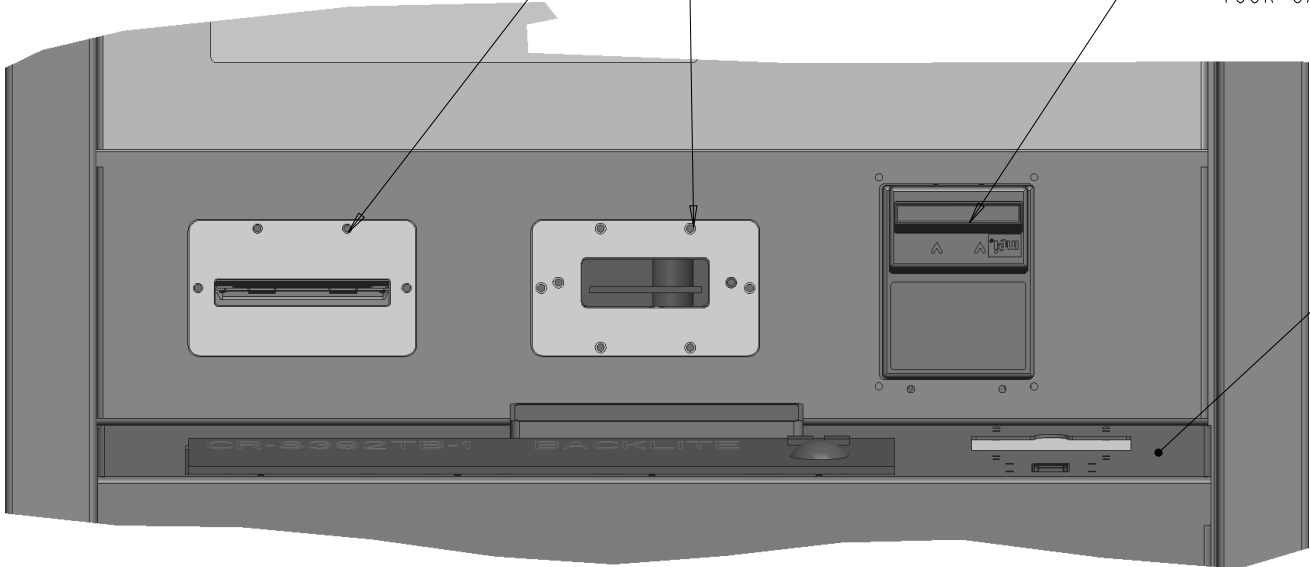
ZONE	LTR	DESCRIPTION	DATE	APPROVED

B

THESE TWO PATCHES CAN BE CONFIGURED TO HOLD A VARIETY OF PERIFEARLS: BARCODE SCANNER, CREDIT CARD READER, RFID READER, RECEIPT PRINTER OR TICKET PRINTER

BILL ACCEPTOR, MOST TYPES OF DOWN STACKER BILL ACCEPTORS CAN BE MOUNTED HERE. THE EMI DOWNSTACKER IS SHOWN. CONSULT YOUR SALES ACCOCIATE.

KEYBOARD AREA SEE PAGE 6



A

DETAIL B
SCALE 0.400

THIS DRAWING IS PROPRIETARY AND CONSIDERED CONFIDENTIAL. NO REPRODUCTION MAY BE MADE WITHOUT WRITTEN PERMISSION FROM H32 DESIGN AND DEVELOPMENT LLC. WWW.H32.COM	SIZE: B	DRAWING TITLE: TTW KIOSK CUTOMER DWG	REV: 2
	DWG #: H32 - 800 - C	SHEET: 5 OF 8	

2

11



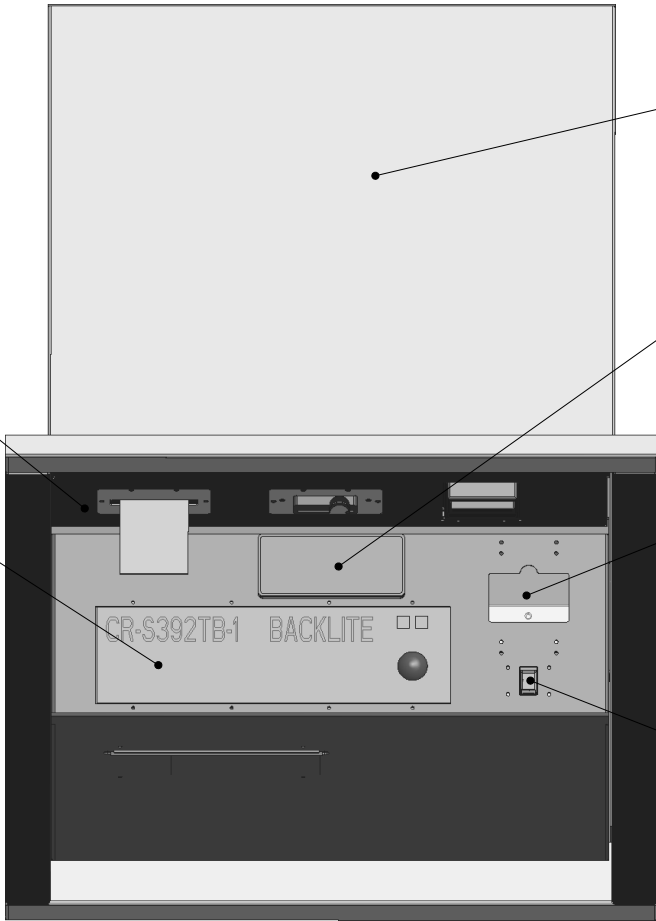
For questions regarding this drawing or product please contact an Advanced Kiosks technical sales representative.
Advanced Kiosks | 134 Hall Street, Units F/G, Concord, NH 03301 | 603-865-1000 | www.advancedkiosks.com

ZONE	LTR	DESCRIPTION	DATE	APPROVED

B

SEE FRONT VIEW
PAGE 2

FULL METAL KEYBOARD
AND 2 INCH TRACKBALL
THE KEYBOARD LETTERS
ARE ALL BACK LITE.
STANDARD



TOP OF KIOSK

OPTIONAL SIGNITURE PAD

OPTIONAL ID
SCANNER, FOR
SCANNING DRIVERS
LICENSES AND ID
CARDS

OPTIONAL FINGER
PRINT READER.

A

VIEW LOOKING DOWN AT
THE KEYBOARD AREA

THIS DRAWING IS PROPRIETARY AND CONSIDERED CONFIDENTIAL. NO REPRODUCTION MAY BE MADE WITHOUT WRITTEN PERMISSION FROM H32 DESIGN AND DEVELOPMENT LLC. WWW.H32.COM	SIZE: B	DRAWING TITLE: TTW KIOSK CUTOMER DWG	REV: 2
	DWG #: H32 - 800 - C	SHEET: 6 OF 8	

2

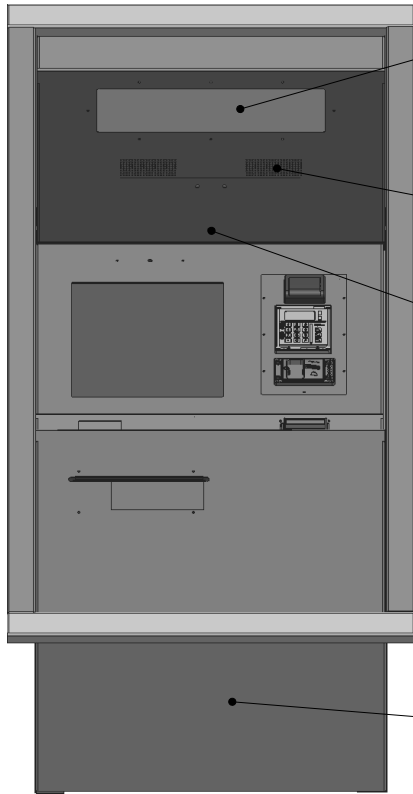
11



For questions regarding this drawing or product please contact an Advanced Kiosks technical sales representative.
Advanced Kiosks | 134 Hall Street, Units F/G, Concord, NH 03301 | 603-865-1000 | www.advancedkiosks.com

ZONE	LTR	DESCRIPTION	DATE	APPROVED

B



LIGHT

SPEAKERS, AMPLIFIED

OPTIONAL MICROPHONE

BOTTOM OF UNIT

A

VIEW LOOKING UP AT
THE TOP INSIDE

THIS DRAWING IS PROPRIETARY AND CONSIDERED CONFIDENTIAL. NO REPRODUCTION MAY BE MADE WITHOUT WRITTEN PERMISSION FROM H32 DESIGN AND DEVELOPMENT LLC. WWW.H32.COM	SIZE:	DRAWING TITLE:	REV:
	B	TTW KIOSK CUTOMER DWG	2
DWG #: H32 - 800 - C		SHEET: 7 OF 8	

2

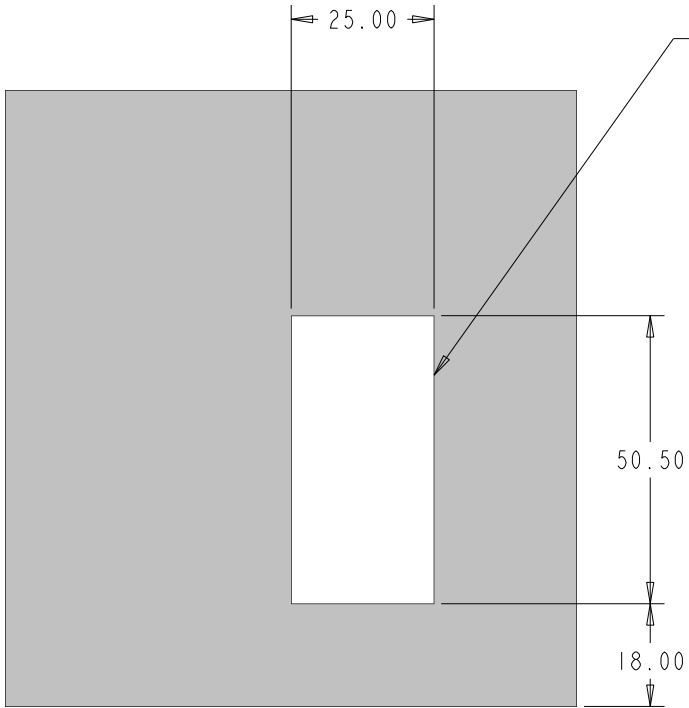
11



For questions regarding this drawing or product please contact an Advanced Kiosks technical sales representative.
 Advanced Kiosks | 134 Hall Street, Units F/G, Concord, NH 03301 | 603-865-1000 | www.advancedkiosks.com

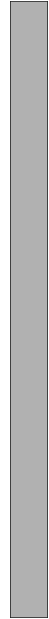
ZONE	LTR	DESCRIPTION	DATE	APPROVED

B



THE RUFF OPENING NEEDS TO BE PREPED AS ANY THRU THE WALL STRUCTURE WOULD BE. FOR EXAMPLE AS A WINDOW OR DOOR. OTHERWISE THERE WILL BE LEADAGE AND ASSOCIATED PROBLEMS OVER TIME. THE HOLE NEED TO BE STRIGHT AND TRUE.

THERE NEEDS TO BE AN ELECTRICAL OUTLET WITH IN 3 FEET OF THE KIOSK.



6

A

RUFF OPENING VIEW

THIS DRAWING IS PROPRIETARY AND CONSIDERED CONFIDENTIAL. NO REPRODUCTION MAY BE MADE WITHOUT WRITTEN PERMISSION FROM H32 DESIGN AND DEVELOPMENT LLC. WWW.H32.COM	SIZE: B	DRAWING TITLE: TTW KIOSK CUTOMER DWG	REV: 2
	DWG #: H32 - 800 - C	SHEET: 8 OF 8	

2

11



For questions regarding this drawing or product please contact an Advanced Kiosks technical sales representative.
 Advanced Kiosks | 134 Hall Street, Units F/G, Concord, NH 03301 | 603-865-1000 | www.advancedkiosks.com