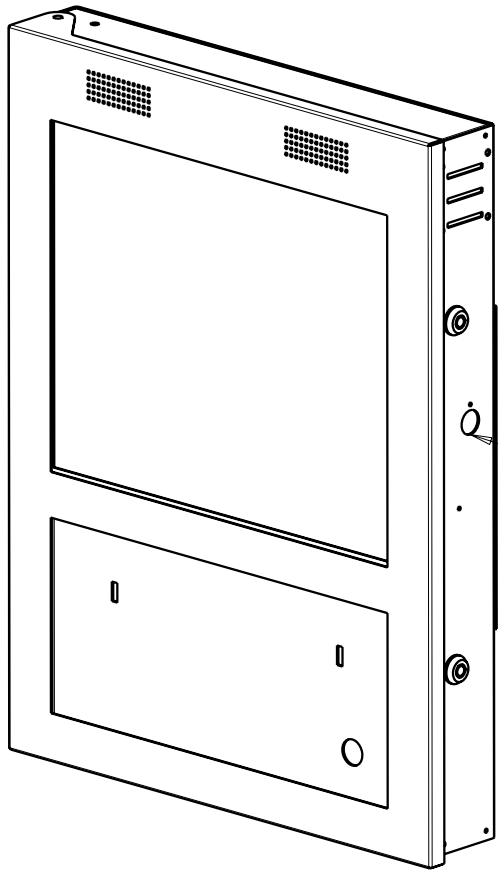


ZONE	LTR	DESCRIPTION	DATE	APPROVED

NOTES

1. THIS DRAWING IS FOR CUSTOMER REFERENCE ONLY.
2. FRONT DOOR IS 16 GAUGE STAINLESS STEEL.
3. BACK SECTION IS CRS 16 GAUGE PAINTED BLACK.
4. FRONT AND SIDES OF DOOR WILL BE BRUSHED SST FINISH NO BLEMISHES OR WELD MARKS.



KNOCK OUT FOR CREDIT CARD READER AND VOIP HANDSET OPTION.

ADVANCED KIOSKS
603-865-1000

DO NOT SCALE FROM PRINT!		DWG INTERPRETATION: ASME Y14.5M-1994 UNLESS OTHERWISE SPECIFIED:		H32 DESIGN AND DEVELOPMENT LLC 39 MTN VIEW RD, WILMOT NH 03287 603-526-9278, www.H32eng.com	
INSPECTION		DIMENSIONS IN: INCHES		TITLE: COMPACT POWER KIOSK	
PART STATUS:		TOLERANCES: ± .005		SIZE: D	
LEGEND: " CRITICAL DIMENSION " MAJOR DIMENSION " (NO *) MINOR DIMENSION		SURFACE FINISH: 125		DRAWING NUMBER: H32 - 70 - 110	
THIS DRAWING IS PROPRIETARY AND CONSIDERED CONFIDENTIAL. NO REPRODUCTION MAY BE MADE WITHOUT WRITTEN PERMISSION FROM H32 DESIGN AND DEVELOPMENT LLC.		THIRD ANGLE PROJECTION		REV: E	
				SCALE: SHEET: 1 OF 7	

2

1

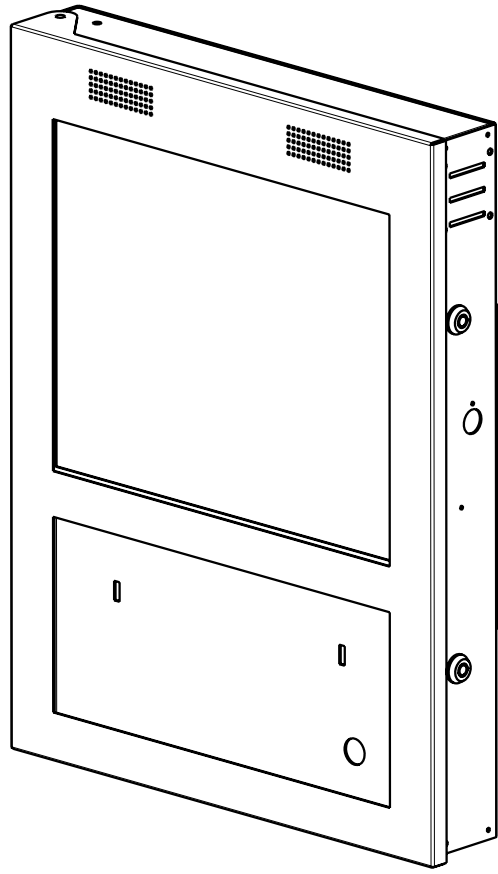


For questions regarding this drawing or product please contact an Advanced Kiosks technical sales representative.
Advanced Kiosks | 134 Hall Street, Units F/G, Concord NH 03301 | 603-865-1000 | www.advancedkiosks.com

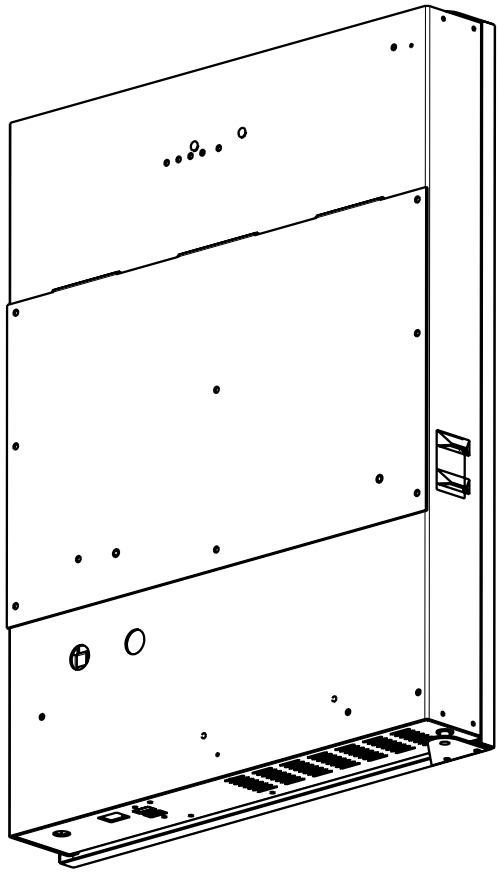
ZONE	LTR	DESCRIPTION	DATE	APPROVED

B

A



FRONT ISOMETRIC VIEW



BACK ISOMETRIC VIEW

THIS DRAWING IS PROPRIETARY AND CONSIDERED CONFIDENTIAL. NO REPRODUCTION MAY BE MADE WITHOUT WRITTEN PERMISSION FROM H32 DESIGN AND DEVELOPMENT LLC.	SIZE: <input type="checkbox"/>	DRAWING TITLE: COMPACT POWER KIOSK	REV:
	DWG: 32 - 70 - 100	SHEET: <input type="text" value="2"/> OF <input type="text" value="7"/>	

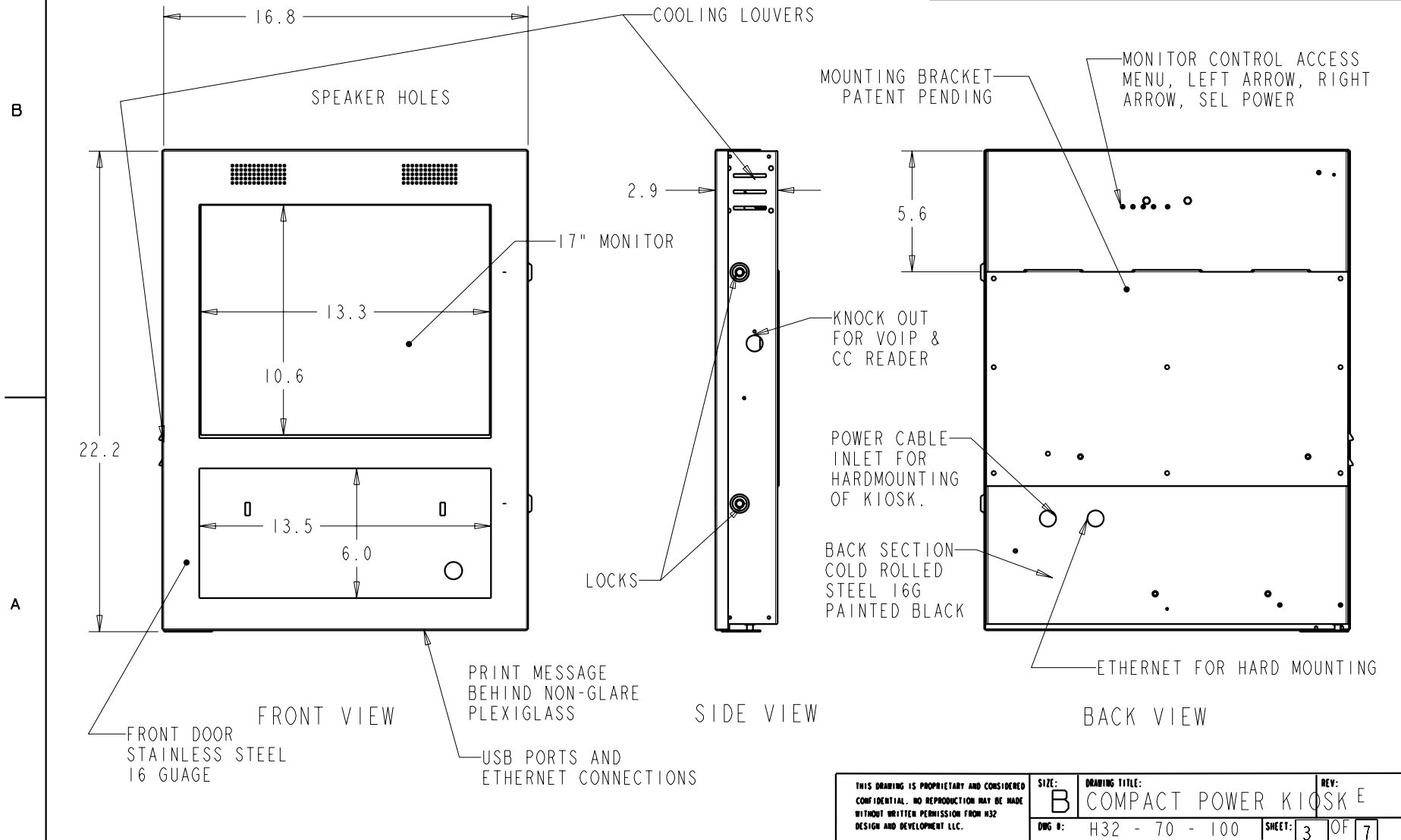
2

11



For questions regarding this drawing or product please contact an Advanced Kiosks technical sales representative.
 Advanced Kiosks | 134 Hall Street, Units F/G, Concord NH 03301 | 603-865-1000 | www.advancedkiosks.com

ZONE	LTR	DESCRIPTION	DATE	APPROVED



THIS DRAWING IS PROPRIETARY AND CONSIDERED CONFIDENTIAL. NO REPRODUCTION MAY BE MADE WITHOUT WRITTEN PERMISSION FROM H32 DESIGN AND DEVELOPMENT LLC.	SIZE: B	DRAWING TITLE: COMPACT POWER KIOSK E	REV: E
	DWG #: H32 - 70 - 100	SHEET: 3 OF 7	



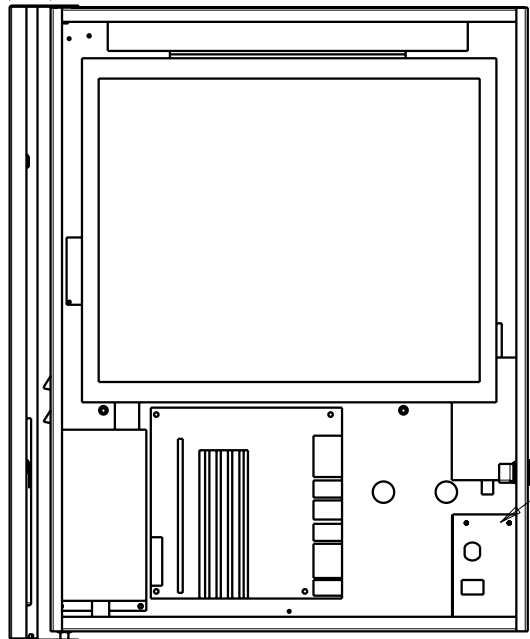
For questions regarding this drawing or product please contact an Advanced Kiosks technical sales representative.
 Advanced Kiosks | 134 Hall Street, Units F/G, Concord NH 03301 | 603-865-1000 | www.advancedkiosks.com

ZONE	LTR	DESCRIPTION	DATE	APPROVED

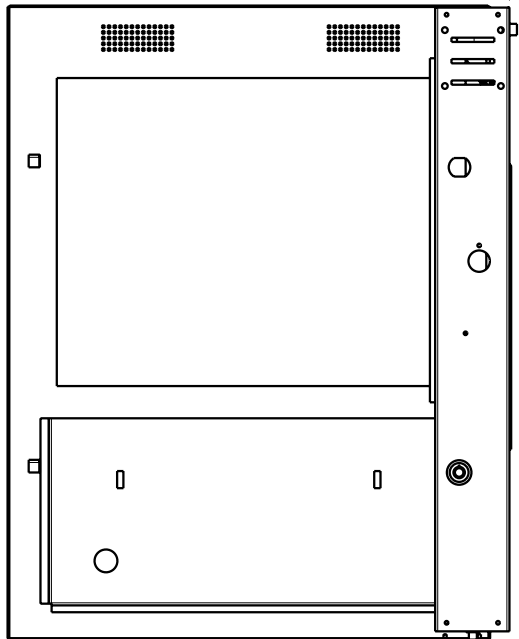
B

1.4

17.56



HIGH POWER AREA



A

FRONT VIEW
DOOR OPEN

SIDE VIEW
DOOR OPEN

THIS DRAWING IS PROPRIETARY AND CONSIDERED CONFIDENTIAL. NO REPRODUCTION MAY BE MADE WITHOUT WRITTEN PERMISSION FROM H32 DESIGN AND DEVELOPMENT LLC.	SIZE:	DRAWING TITLE:	REV:
	B	COMPACT POWER KIOSK	-
DWG #: H32 - 70 - 100	SHEET: 4	OF 7	

2

11



For questions regarding this drawing or product please contact an Advanced Kiosks technical sales representative.
Advanced Kiosks | 134 Hall Street, Units F/G, Concord NH 03301 | 603-865-1000 | www.advancedkiosks.com

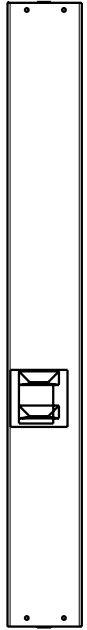
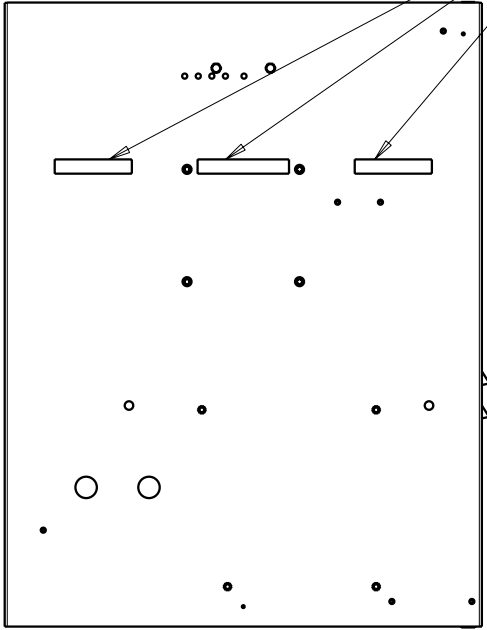
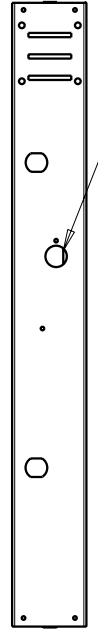
ZONE	LTR	DESCRIPTION	DATE	APPROVED

B

A

0.75 KNOCK OUT HOLE

SLOTS THAT MATE WITH MOUNTING BRACKET FINGERS.



RIGHT SIDE

BACK VIEW WITH NO MOUNTING BRACKET

LEFT SIDE

WALL KIOSK WELDMENT

THIS DRAWING IS PROPRIETARY AND CONSIDERED CONFIDENTIAL. NO REPRODUCTION MAY BE MADE WITHOUT WRITTEN PERMISSION FROM H32 DESIGN AND DEVELOPMENT LLC.	SIZE:	DRAWING TITLE:	REV:
	B	COMPACT POWER KIOSK E	E
DWG #:	H32 - 70 - 100	SHEET:	5 OF 7

2

11

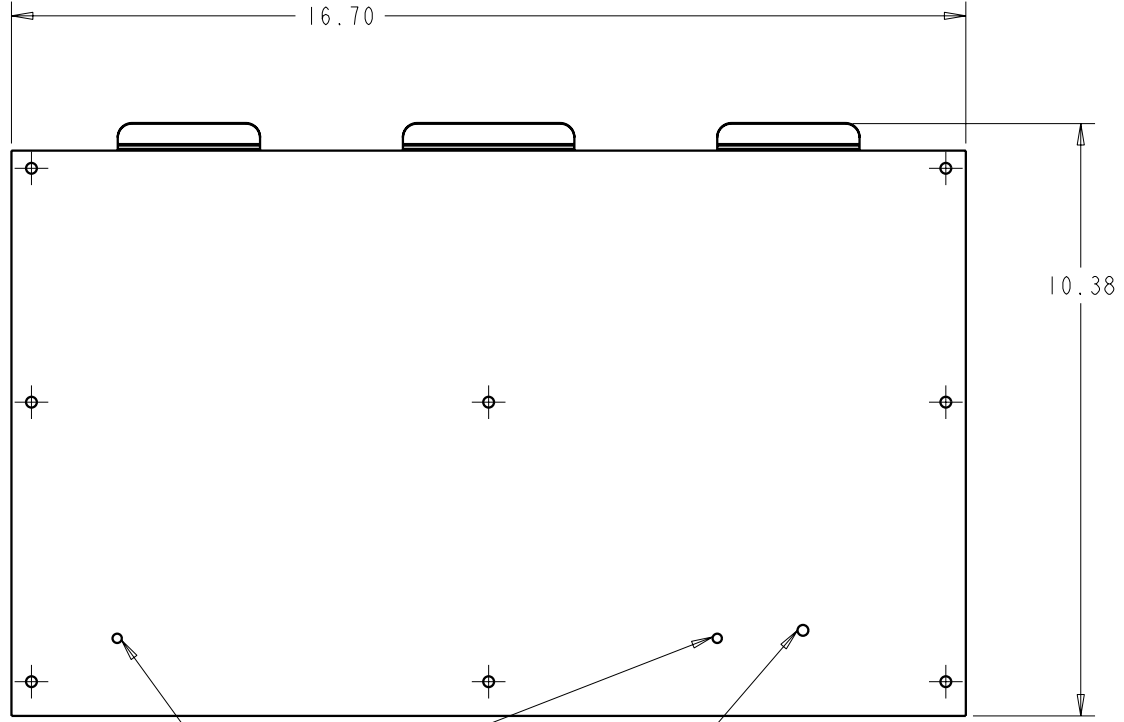


For questions regarding this drawing or product please contact an Advanced Kiosks technical sales representative.
 Advanced Kiosks | 134 Hall Street, Units F/G, Concord NH 03301 | 603-865-1000 | www.advancedkiosks.com

ZONE	LTR	DESCRIPTION	DATE	APPROVED

B

A



LOCK DOWN SCREW

FRONT VIEW

REF HOLE ELECTRICAL NEED TO COME IN 3.0 UNDER THIS HOLE.

MANUAL PICTURE

WALL MOUNT

THIS DRAWING IS PROPRIETARY AND CONSIDERED CONFIDENTIAL. NO REPRODUCTION MAY BE MADE WITHOUT WRITTEN PERMISSION FROM H32 DESIGN AND DEVELOPMENT LLC.	SIZE:	DRAWING TITLE:	REV:
	B	COMPACT POWER KIOSK -	
DWG #: H32 - 70 - 100	SHEET: 6	OF 7	

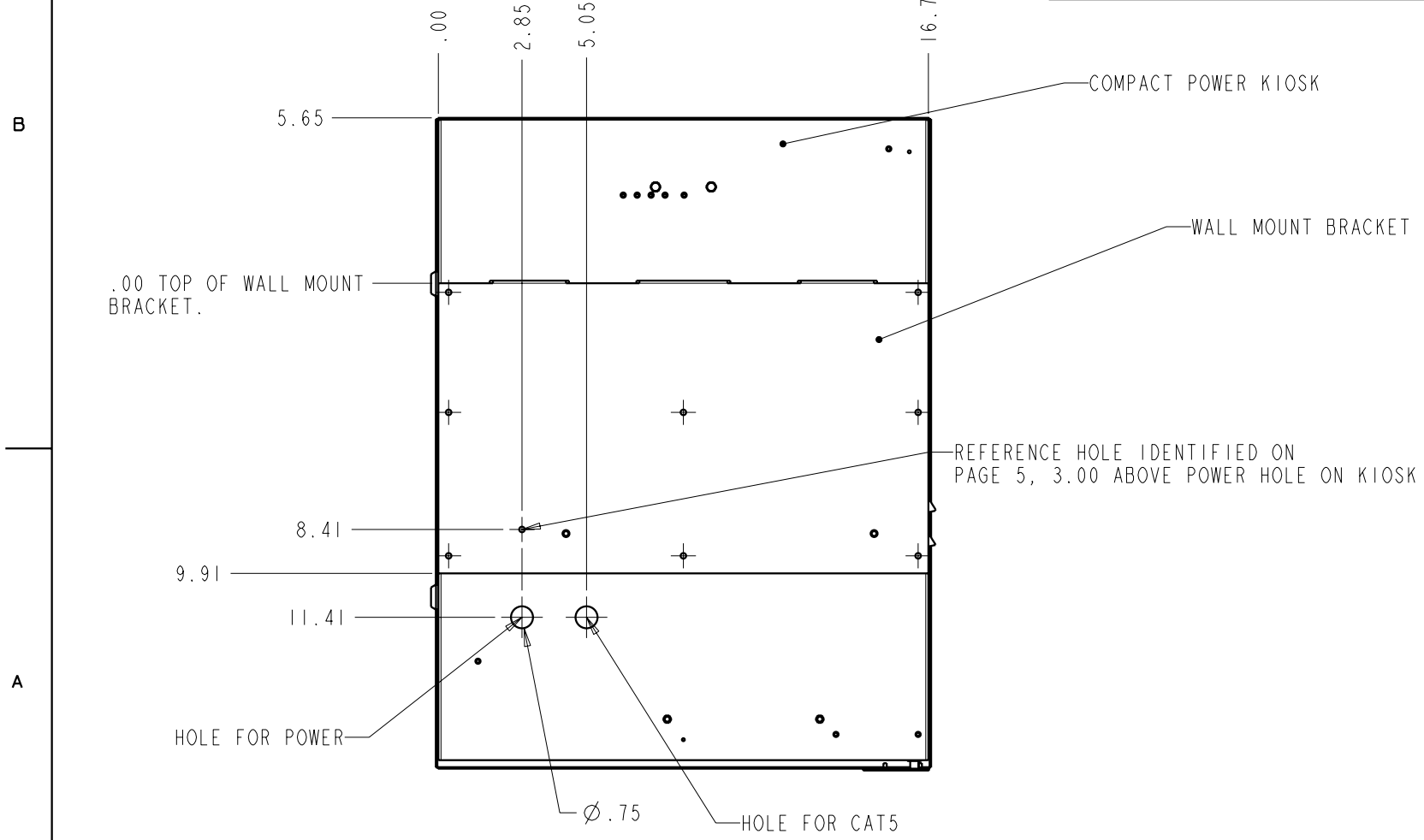
2

11



For questions regarding this drawing or product please contact an Advanced Kiosks technical sales representative.
 Advanced Kiosks | 134 Hall Street, Units F/G, Concord NH 03301 | 603-865-1000 | www.advancedkiosks.com

ZONE	LTR	DESCRIPTION	DATE	APPROVED



BACK OF COMPACT POWER KIOSK

THIS DRAWING IS PROPRIETARY AND CONSIDERED CONFIDENTIAL. NO REPRODUCTION MAY BE MADE WITHOUT WRITTEN PERMISSION FROM H32 DESIGN AND DEVELOPMENT LLC.	SIZE:	DRAWING TITLE:	REV:
	B	COMPACT POWER KIOSK F	F
DWG #:	H32 - 70 - 100	SHEET:	7 OF 7



For questions regarding this drawing or product please contact an Advanced Kiosks technical sales representative.
 Advanced Kiosks | 134 Hall Street, Units F/G, Concord NH 03301 | 603-865-1000 | www.advancedkiosks.com