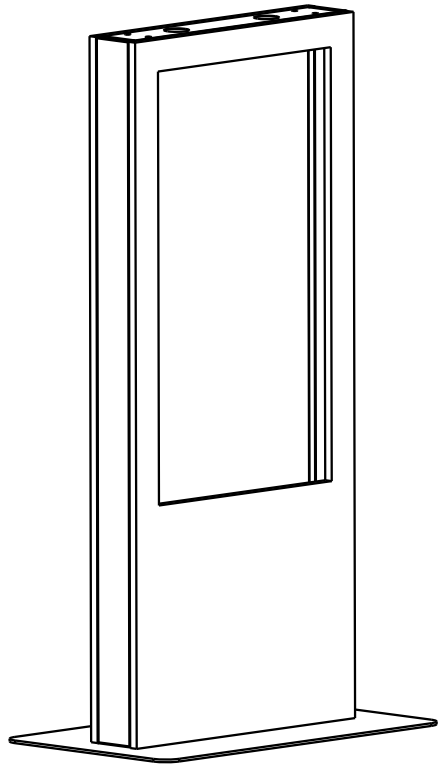


ZONE	LTR	DESCRIPTION	DATE	APPROVED

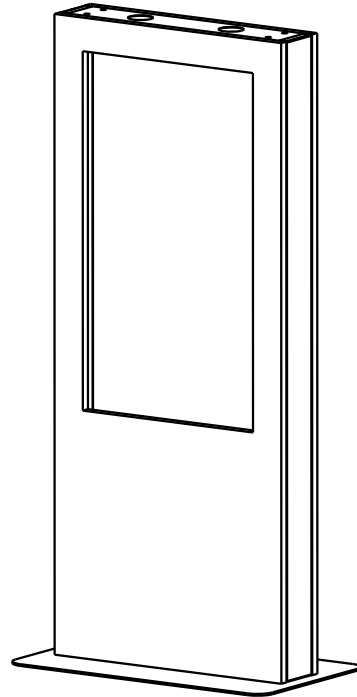
B



MONOLITH 55 INCH

NOTES

1. THIS IS A CUSTOMER DRAWING DO NOT REFERENCE FOR MANUFACTURING. IT IS FOR CUSTOMER REFERENCE ONLY.
2. THIS IS A ENGINEERING MODEL OF THE MONOLITH KIOSK ALL FEATURS ARE SHOWN. HOLES THAT ARE SHOWN ARE FILLED WITH FLAT HEAD SCREWS. NO ELECTRONICS ARE SHOWN
3. THIS DRAWING IS TO COMMUNICATE TO CUSTOMERS THE SIZE OF THE KIOSK FOR GRAPHICAL LAMINATES, AND MOUNTING POINTS.
4. THIS DRAWING IS FOR THE INDOOR VERSION OF THE MONOLITH KIOSK ONLY.



MONOLITH 46 INCH

A

DO NOT SCALE FROM PRINT!		PWS INTERPRETATION: ASME Y14.5M-1994 UNLESS OTHERWISE SPECIFIED:		H32 DESIGN AND DEVELOPMENT LLC, 603-865-1000 PO BOX 234, WILMOT NH 03287, www.H32.com Advanced kiosks is a dba of H32	
INSPECTION		DIMENSIONS IN: INCHES TOLERANCES: ±.005 PERPENDICULARITY: .005/INCH EDGE SURFACES: .005-.015 FULLY FINISH: .010-0.015 ANGLES: ±.1° SURFACE ROUGHNESS: 125		TITLE: INDOOR MONOLITH KIOSK 46 & 55 INCH	
PART STATUS:		TOLERANCES: ZE .1 ZE .01 ZE .005		SIZE: D DRAWING NUMBER: H32 - 510 - C REV: A	
LEGEND: CRITICAL DIMENSION MAJOR DIMENSION MINOR DIMENSION		THIRD ANGLE PROJECTION		SCALE: SHEET: 1 OF 5	
THIS DRAWING IS PROPRIETARY AND CONSIDERED CONFIDENTIAL. NO REPRODUCTION MAY BE MADE WITHOUT WRITTEN PERMISSION FROM H32 DESIGN AND DEVELOPMENT LLC.					

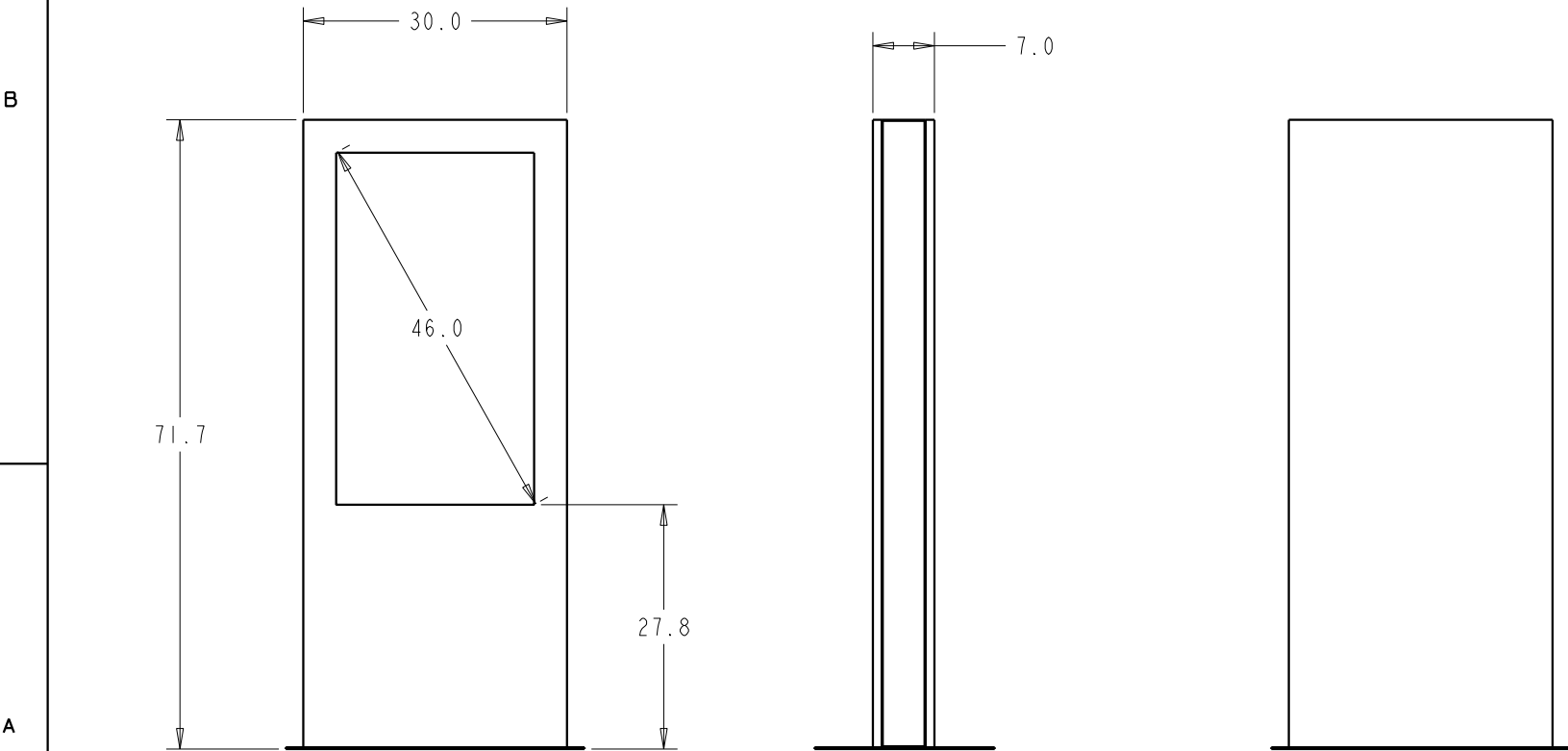
2

1



For questions regarding this drawing or product please contact an Advanced Kiosks technical sales representative.
 Advanced Kiosks | 134 Hall Street, Units F/G, Concord, NH 03301 | 603-865-1000 | www.advancedkiosks.com

ZONE	LTR	DESCRIPTION	DATE	APPROVED



FRONT VIEW

SIDE VIEW

BACK VIEW

MONOLITH 46 INCH ONE SIDED

<small>THIS DRAWING IS PROPRIETARY AND CONSIDERED CONFIDENTIAL. NO REPRODUCTION MAY BE MADE WITHOUT WRITTEN PERMISSION FROM H32 DESIGN AND DEVELOPMENT LLC. WWW.H32.COM</small>	SIZE: B	DRAWING TITLE: MONOLITH KIOSK	REV: A
	DWG #: H32 - 510 - C	SHEET: 2 OF 7	

2

11

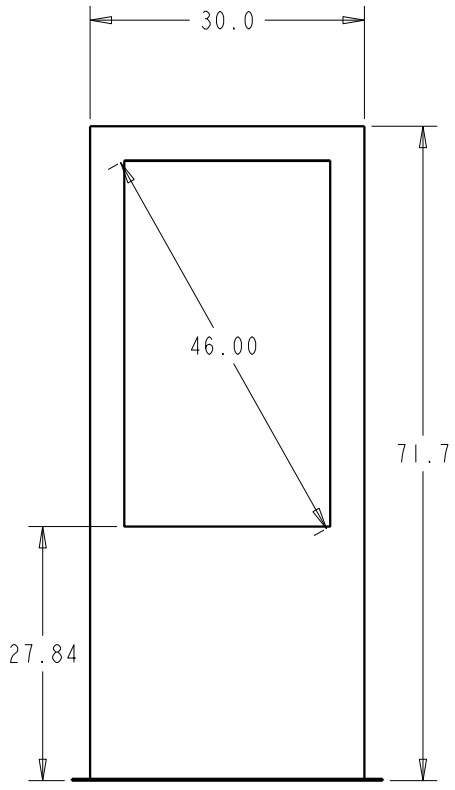


For questions regarding this drawing or product please contact an Advanced Kiosks technical sales representative.
 Advanced Kiosks | 134 Hall Street, Units F/G, Concord, NH 03301 | 603-865-1000 | www.advancedkiosks.com

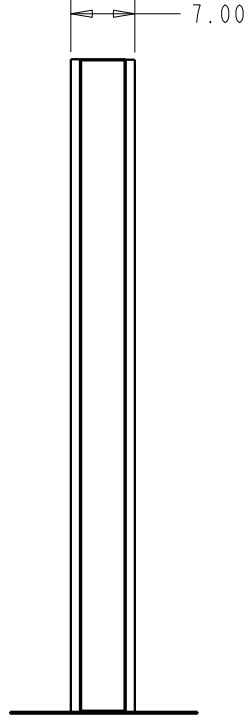
ZONE	LTR	DESCRIPTION	DATE	APPROVED

B

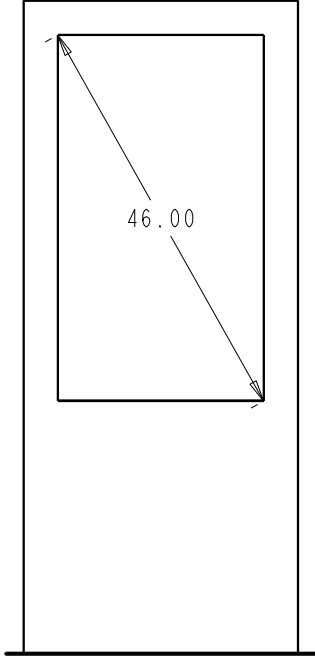
A



FRONT VIEW



SIDE VIEW



BACK VIEW

MONOLITH 46 INCH DOUBLE SIDED

<small>THIS DRAWING IS PROPRIETARY AND CONSIDERED CONFIDENTIAL. NO REPRODUCTION MAY BE MADE WITHOUT WRITTEN PERMISSION FROM H32 DESIGN AND DEVELOPMENT LLC. WWW.H32.COM</small>	<small>SIZE:</small> B	<small>DRAWING TITLE:</small> MONOLITH KIOSK	<small>REV:</small> A
	<small>DWG #:</small> H32 - 510 - C	<small>SHEET:</small> 3 OF 7	

2

11

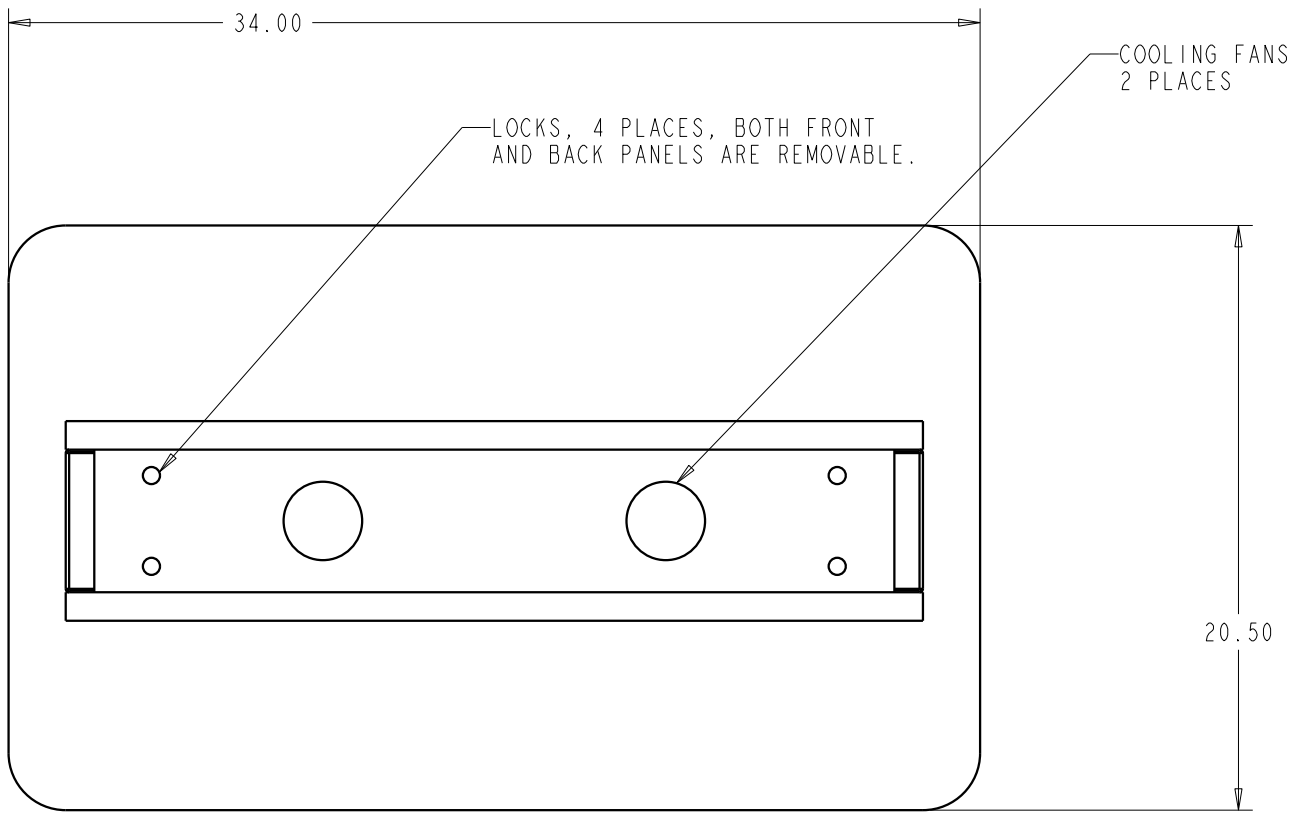


For questions regarding this drawing or product please contact an Advanced Kiosks technical sales representative.
 Advanced Kiosks | 134 Hall Street, Units F/G, Concord, NH 03301 | 603-865-1000 | www.advancedkiosks.com

ZONE	LTR	DESCRIPTION	DATE	APPROVED

B

A



MONOLITH 46 INCH SINGLE AND DOUBLE SIDED TOP VIEW

<small>THIS DRAWING IS PROPRIETARY AND CONSIDERED CONFIDENTIAL. NO REPRODUCTION MAY BE MADE WITHOUT WRITTEN PERMISSION FROM H32 DESIGN AND DEVELOPMENT LLC. WWW.H32.COM</small>	<small>SIZE:</small> B	<small>DRAWING TITLE:</small> MONOLITH KIOSK	<small>REV:</small> A
	<small>DWG #:</small> H32 - 510 - C	<small>SHEET:</small> 4 OF 7	

2

11

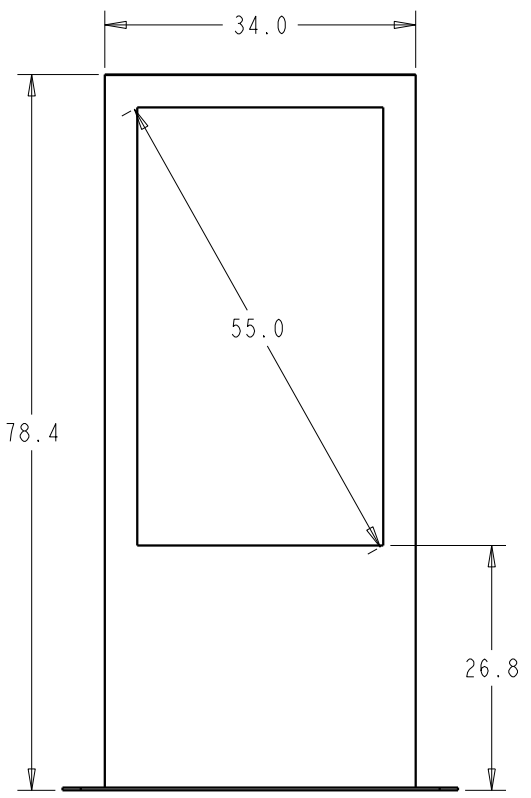


For questions regarding this drawing or product please contact an Advanced Kiosks technical sales representative.
 Advanced Kiosks | 134 Hall Street, Units F/G, Concord, NH 03301 | 603-865-1000 | www.advancedkiosks.com

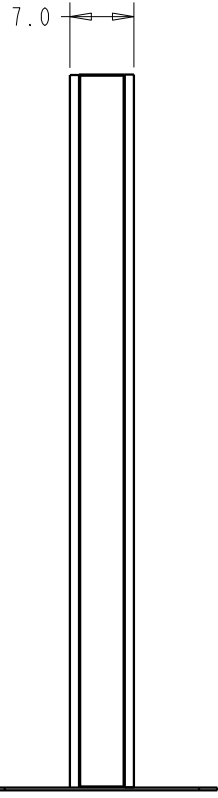
ZONE	LTR	DESCRIPTION	DATE	APPROVED

B

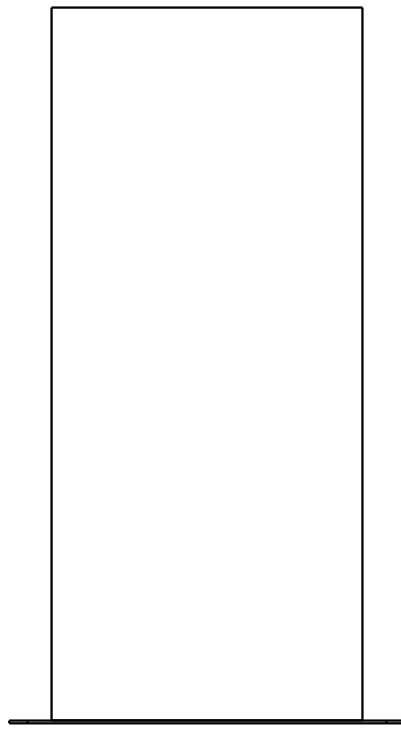
A



FRONT VIEW



SIDE VIEW



BACK VIEW

MONOLITH 55 INCH ONE SIDED

<small>THIS DRAWING IS PROPRIETARY AND CONSIDERED CONFIDENTIAL. NO REPRODUCTION MAY BE MADE WITHOUT WRITTEN PERMISSION FROM H32 DESIGN AND DEVELOPMENT LLC. WWW.H32.COM</small>	<small>SIZE:</small> B	<small>DRAWING TITLE:</small> MONOLITH KIOSK	<small>REV:</small> A
	<small>DWG #:</small> H32 - 510 - C	<small>SHEET:</small> 5 OF 7	

2

11

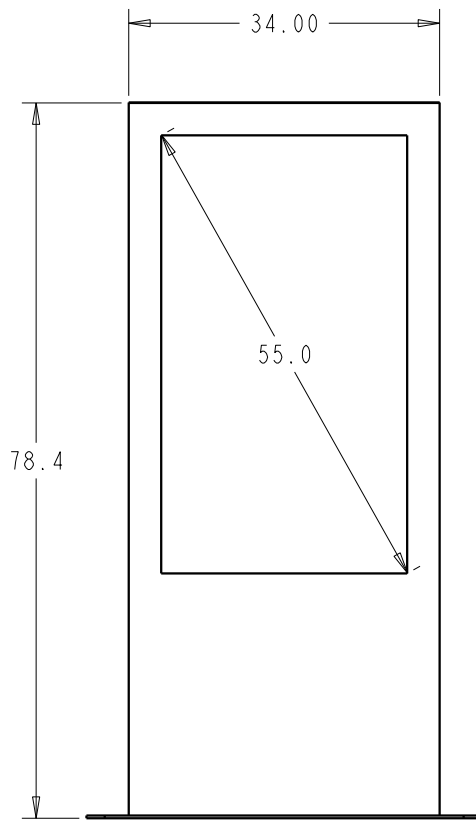


For questions regarding this drawing or product please contact an Advanced Kiosks technical sales representative.
 Advanced Kiosks | 134 Hall Street, Units F/G, Concord, NH 03301 | 603-865-1000 | www.advancedkiosks.com

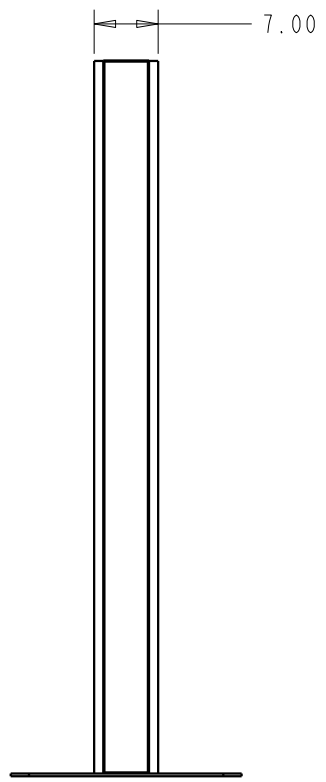
ZONE	LTR	DESCRIPTION	DATE	APPROVED

B

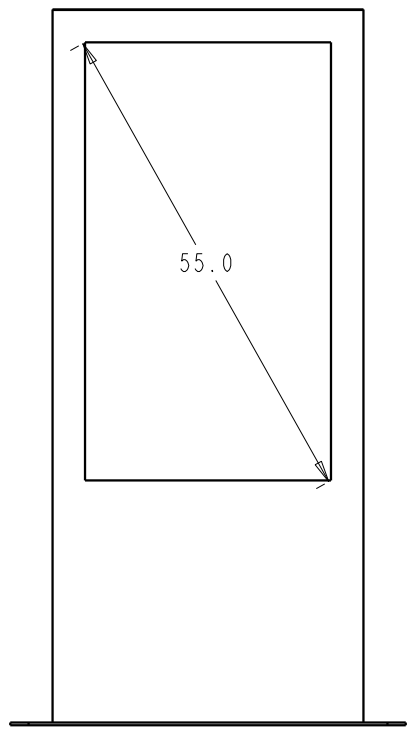
A



FRONT VIEW



SIDE VIEW



BACK VIEW

MONOLITH 55 INCH DOUBLE SIDED

<small>THIS DRAWING IS PROPRIETARY AND CONSIDERED CONFIDENTIAL. NO REPRODUCTION MAY BE MADE WITHOUT WRITTEN PERMISSION FROM H32 DESIGN AND DEVELOPMENT LLC. WWW.H32.COM</small>	<small>SIZE:</small> B	<small>DRAWING TITLE:</small> MONOLITH KIOSK	<small>REV:</small> A
	<small>DWG #:</small> H32 - 510 - C	<small>SHEET:</small> 6 OF 7	

2

11

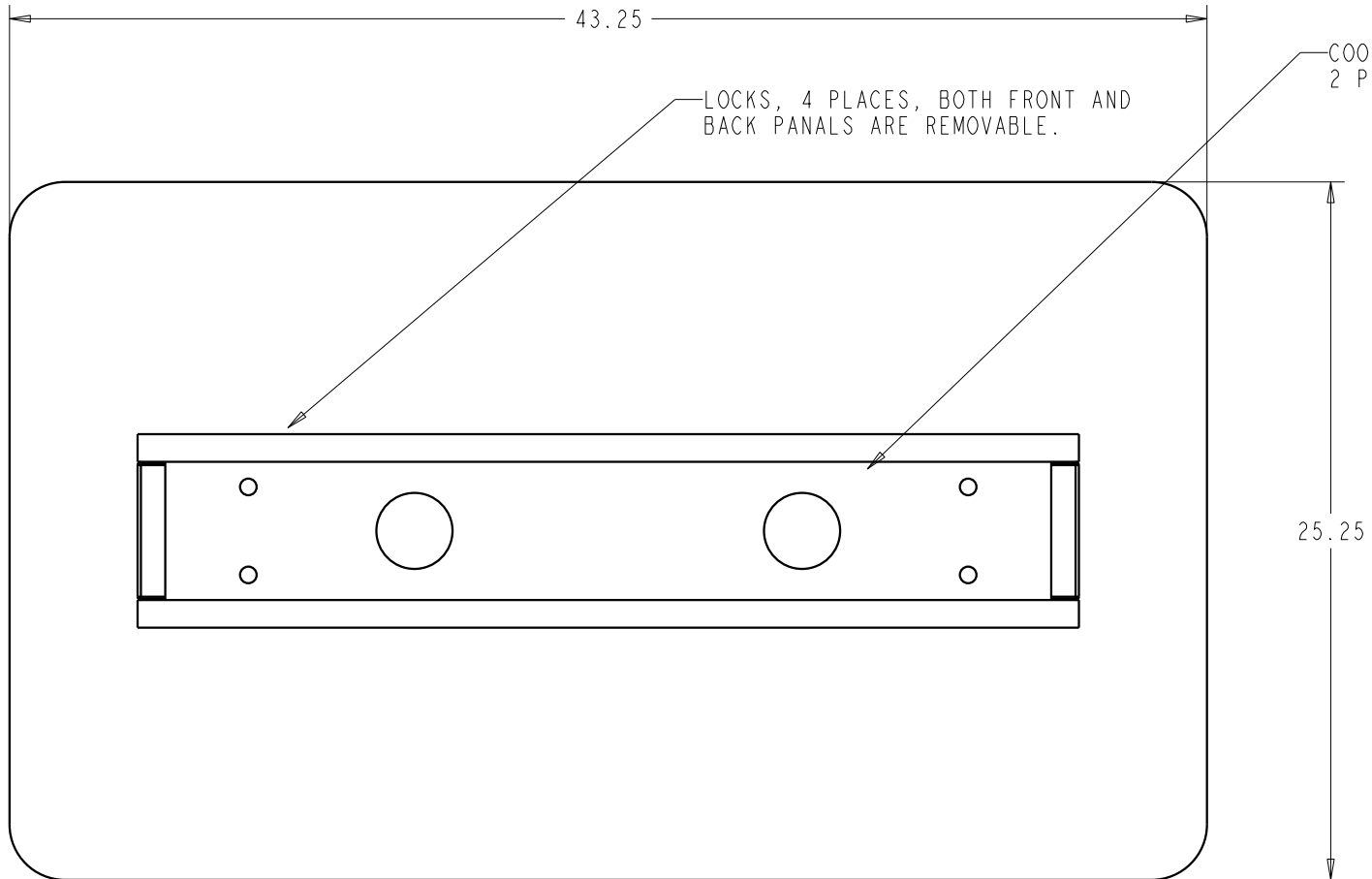


For questions regarding this drawing or product please contact an Advanced Kiosks technical sales representative.
 Advanced Kiosks | 134 Hall Street, Units F/G, Concord, NH 03301 | 603-865-1000 | www.advancedkiosks.com

ZONE	LTR	DESCRIPTION	DATE	APPROVED

B

A



MONOLITH KIOSK 55 INCH SINGLE AND
DOUBLE SIDED TOP VIEW

<small>THIS DRAWING IS PROPRIETARY AND CONSIDERED CONFIDENTIAL. NO REPRODUCTION MAY BE MADE WITHOUT WRITTEN PERMISSION FROM H32 DESIGN AND DEVELOPMENT LLC. WWW.H32.COM</small>	<small>SIZE:</small> B	<small>DRAWING TITLE:</small> MONOLITH KIOSK	<small>REV:</small> A
	<small>DWG #:</small> H32 - 510 - C	<small>SHEET:</small> 7 OF 7	

2

11



For questions regarding this drawing or product please contact an Advanced Kiosks technical sales representative.
Advanced Kiosks | 134 Hall Street, Units F/G, Concord, NH 03301 | 603-865-1000 | www.advancedkiosks.com