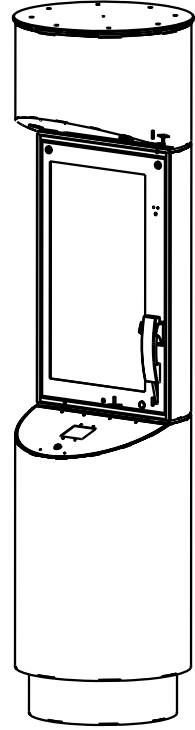
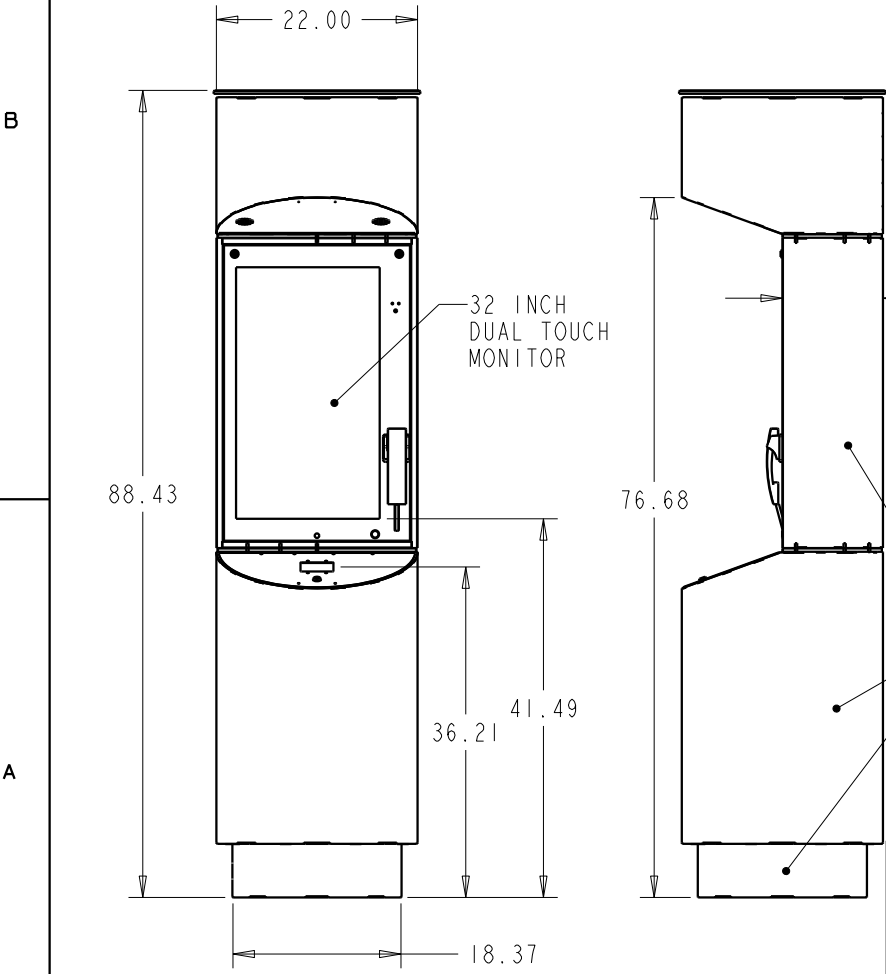


ZONE	LTR	DESCRIPTION	DATE	APPROVED



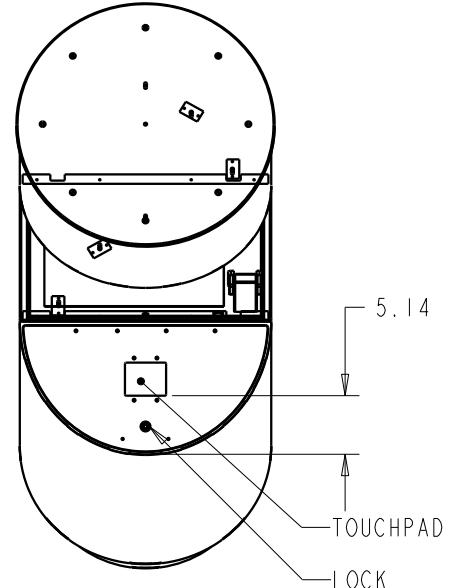
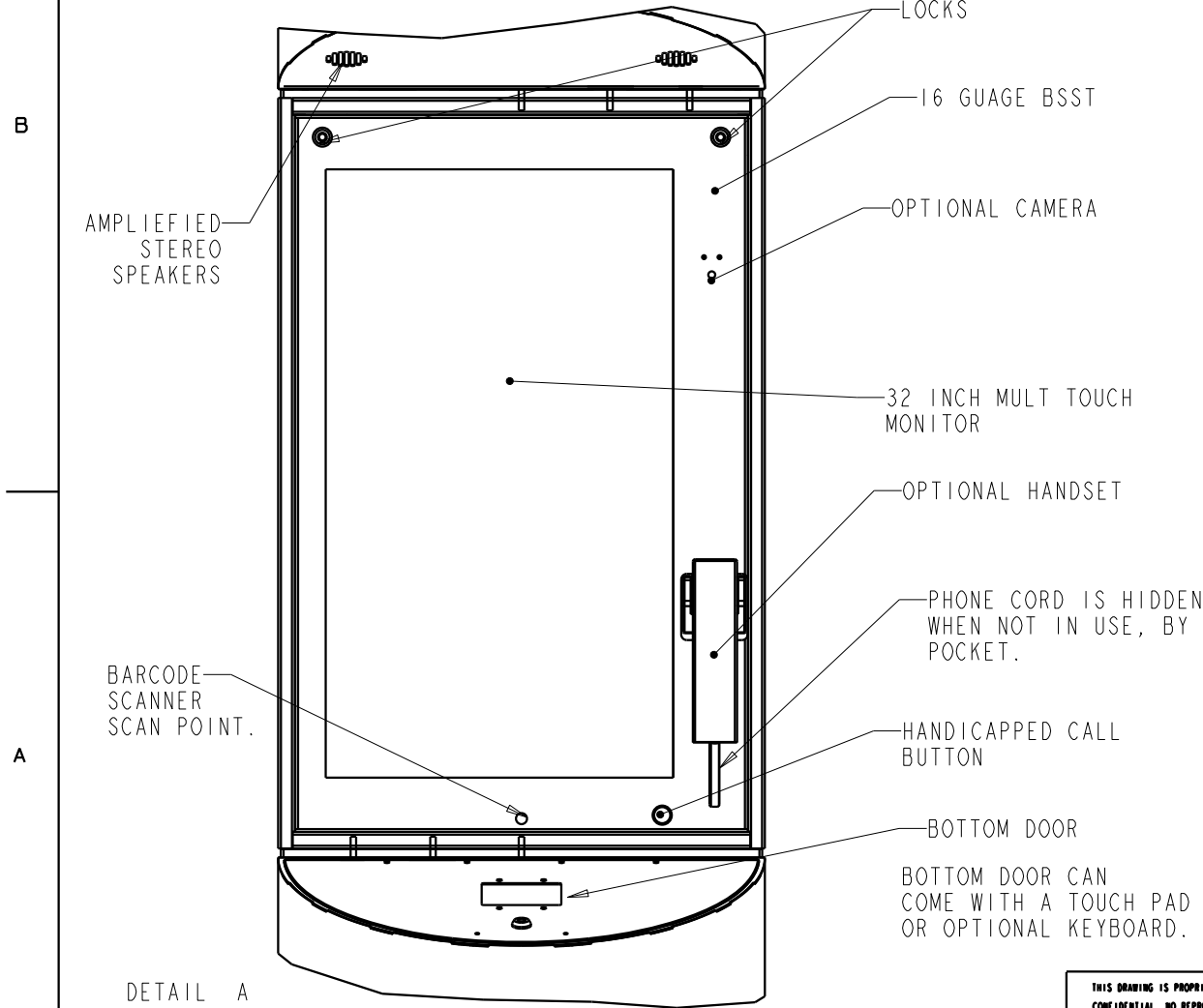
SCALE 0.070

DO NOT SCALE FROM PRINT!		DWG INTERPRETATION: ASME Y14.5M-1994 UNLESS OTHERWISE SPECIFIED:	
INSPECTION		DIMENSIONS IN: INCHES	
PART STATUS:		TOLERANCES: ± .005	
LEGEND:		SURFACE FINISH: RA 1.6	
CRITICAL DIMENSION		SURFACE ROUGHNESS: 25	
MAJOR DIMENSION		TOLERANCES: ± .01	
MINOR DIMENSION		TOLERANCES: ± .005	
THIS DRAWING IS PROPRIETARY AND CONSIDERED CONFIDENTIAL. NO REPRODUCTION MAY BE MADE WITHOUT WRITTEN PERMISSION FROM H32 DESIGN AND DEVELOPMENT LLC.		THIRD ANGLE PROJECTION	
H32 DESIGN AND DEVELOPMENT LLC PO BOX 234, WILMOT NH 03287 603-865-1000 , www.H32.com		TITLE: TOWER KIOSK CUSTOMER DWG	
SIZE: B	DRAWING NUMBER: H32 - 280 - C	REV: A2	SCALE: 0.080
SHEET: 1 OF 3			



For questions regarding this drawing or product please contact an Advanced Kiosks technical sales representative.
Advanced Kiosks | 134 Hall Street, Units F/G, Concord, NH 03301 | 603-865-1000 | www.advancedkiosks.com

ZONE	LTR	DESCRIPTION	DATE	APPROVED



LOWER DOOR VIEW
TOUCH PAD AREA

TOWER-KIOSK

DETAIL A
SCALE 0.200

THIS DRAWING IS PROPRIETARY AND CONSIDERED CONFIDENTIAL. NO REPRODUCTION MAY BE MADE WITHOUT WRITTEN PERMISSION FROM H32 DESIGN AND DEVELOPMENT LLC.	SIZE: B	DRAWING TITLE: TOWER KIOSK CUSTOMER DW A2	REV: DW A2
	DWG #: H32 - 280 - C	SHEET: 2 OF 3	

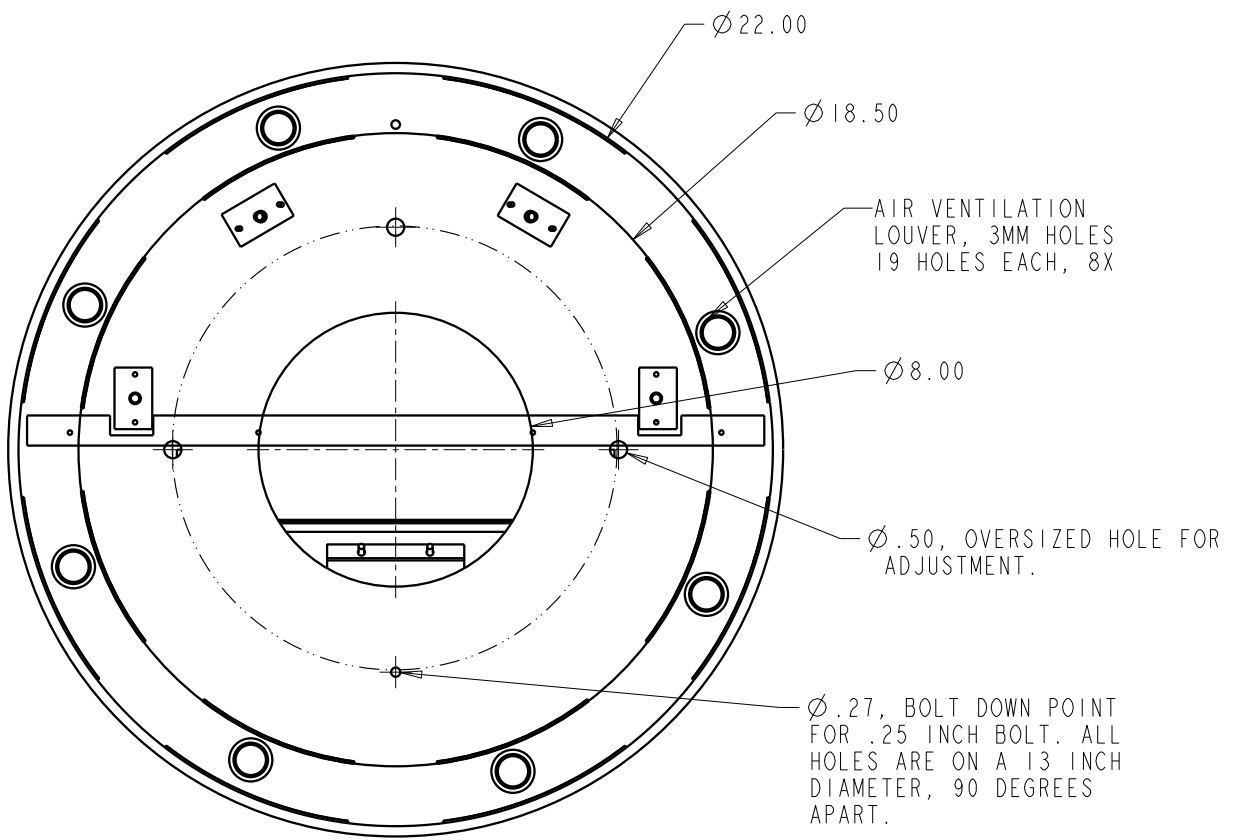


For questions regarding this drawing or product please contact an Advanced Kiosks technical sales representative.
 Advanced Kiosks | 134 Hall Street, Units F/G, Concord, NH 03301 | 603-865-1000 | www.advancedkiosks.com

ZONE	LTR	DESCRIPTION	DATE	APPROVED

B

A



Ø 22.00

Ø 18.50

AIR VENTILATION
LOUVER, 3MM HOLES
19 HOLES EACH, 8X

Ø 8.00

Ø .50, OVERSIZED HOLE FOR
ADJUSTMENT.

Ø .27, BOLT DOWN POINT
FOR .25 INCH BOLT. ALL
HOLES ARE ON A 13 INCH
DIAMETER, 90 DEGREES
APART.

BOTTOM VIEW

TOWER-KIOSK

THIS DRAWING IS PROPRIETARY AND CONSIDERED CONFIDENTIAL. NO REPRODUCTION MAY BE MADE WITHOUT WRITTEN PERMISSION FROM H32 DESIGN AND DEVELOPMENT LLC.	SIZE:	DRAWING TITLE:	REV:
	B	TOWER KIOSK CUSTOMER DW A2	A2
DWG #:	H32 - 280 - C	SHEET:	3 OF 3

2

11



For questions regarding this drawing or product please contact an Advanced Kiosks technical sales representative.
Advanced Kiosks | 134 Hall Street, Units F/G, Concord, NH 03301 | 603-865-1000 | www.advancedkiosks.com