

PEDESTAL KIOSK



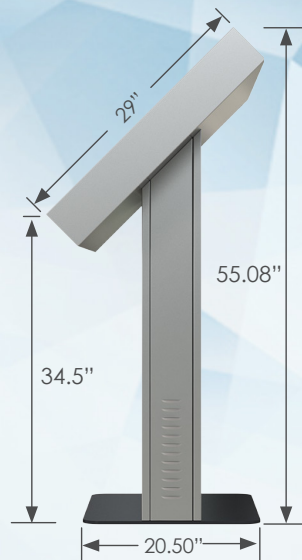
43" Dual Point IR Touch Screen

Amplified Stereo Speakers

Durable, Safe and Secure

All Steel Enclosure

Powder Coat Finish



UNMATCHED **3 YEAR WARRANTY**

LAST REVISED 04.09.2020

PEDESTAL KIOSK

For Lobbies, Exhibits, Wayfinding and more!



The Pedestal Kiosk makes a statement and enhances any lobby, reception area, exhibit or open space in need of a modern touch.

Popular with architects, developers, engineers, interior designers and others involved in the creation of new, exciting smart buildings and indoor spaces.

STANDARD OPTIONS

- 43" Dual Point IR Touchscreen
- 16 Gauge Steel Enclosure
- Black or Silver Powder Coat
- Amplified Stereo Speakers
- WiFi / Ethernet Connectivity
- Lock & Key Access Panel
- Surge Protection
- Windows 10 Professional

OPTIONAL HARDWARE

UPGRADE OPTIONS

- 55" Touchscreen
- Multi-Touch Monitor
- 4G Cellular Connectivity
- Vinyl Graphics or Logo
- Built-in Video Web Camera
- Battery Back-up
- Computer Upgrades
- Advanced Support

Select the options to fit **YOUR** needs!



Have your kiosk pre-installed with our powerful **ZAMOK kiosk software**. Features and benefits include:

FEATURES

- Modify Kiosk Content from Any Computer
- Kiosk Usage Stats & Reporting
- Easy To Use Prebuilt Screen Templates
- Add Company Branding & Logos
- Configure Text or Email Alerts
- No Technical Skill Required
- Restrict Web Access as Desired
- Energy Saver & Screensavers
- Print, Scan or Copy Documents
- VoIP Calling Technology
- Video Conferencing
- Scan Credit Cards, IDs or Barcodes
- Survey Your Customers
- Point of Sales (POS) System

BENEFITS

- Easy to Use
- Get More Value Out of Your Investment

COMPUTER SPECIFICATIONS

Processor	Memory	Graphics	Storage	Operating Temperature	Connectivity	MTF
Intel Core i3	4GB DDR3	Intel HD Graphics	120GB Solid State Drive	0°C to 50°C (32°F to 122°F)	WiFi / Ethernet or Cellular	50,000 Hours
Display Size	Aspect ratio	Touch Technology	Display Technology	Native (Optimal) Resolution	Operating	
43" Touch Screen	16:9	Infrared Touch	LCD with LED backlight	1920 x 1080	Windows 10 Professional	

KIOSK PHYSICAL SPECIFICATIONS

Weight (lbs.)	Dims (L x W x H) Inches	Footprint w/base	Voltage Input Range	Watts @ 110VAC
107 lbs.	20.5"L x 23"W x 68"H	20.5" L x 28" W	100-240VAC	64.9W

KIOSK SHIPPING SPECIFICATIONS

Ships In/On	Weight (lbs.)	Dims (L x W x H) Inches	Logistics
Pallet	172 lbs.	48"L x 40"W x 72"H	Freight
Crate	227 lbs.	72"L x 26"W x 36"H	Freight

FOR MORE INFORMATION ON THE PEDESTAL KIOSK CALL: 1 (866) 783-3791 EMAIL: SALES@ADVANCEDKIOSKS.COM

WWW.ADVANCEDKIOSKS.COM