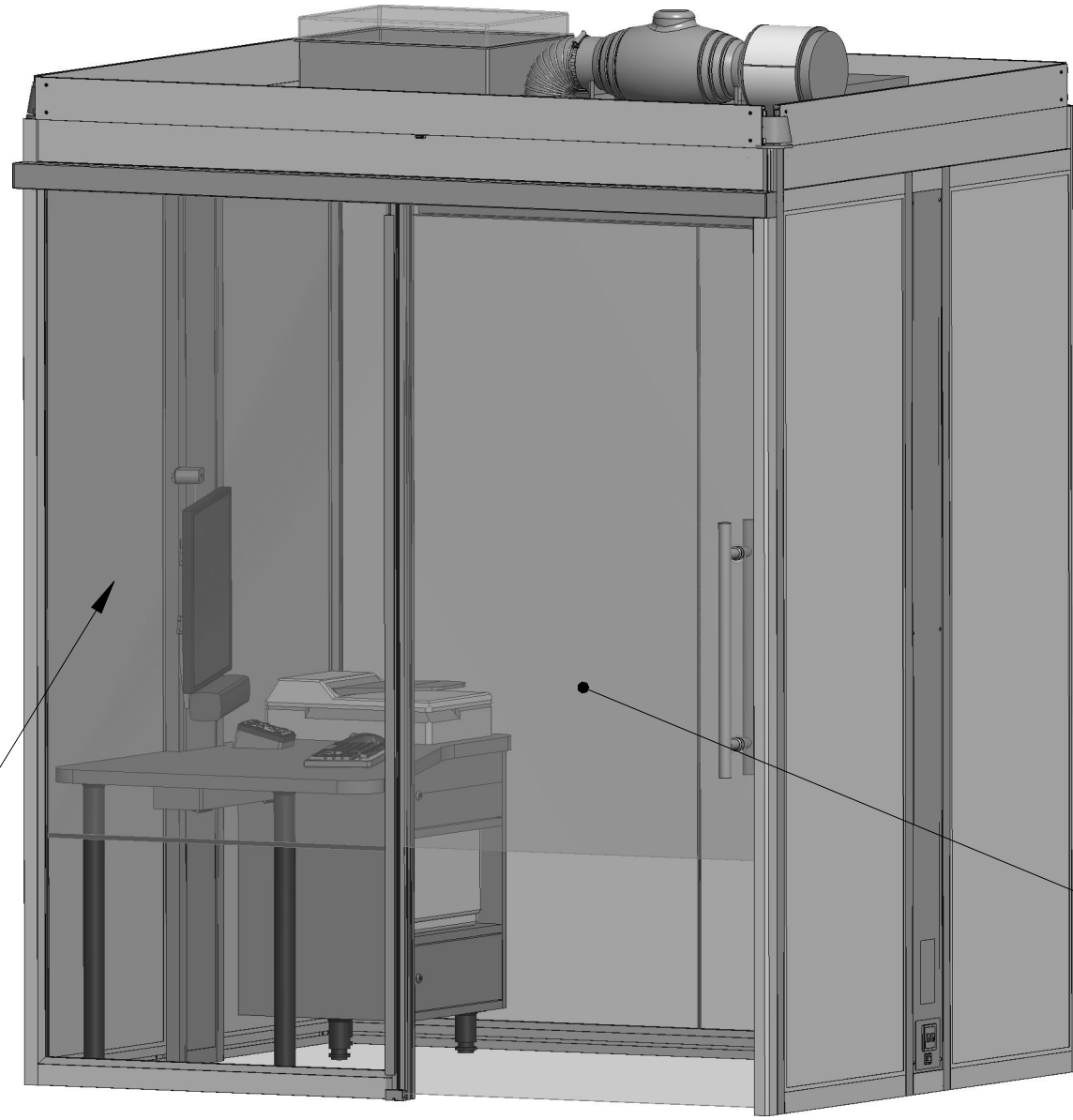


ZONE	LTR	DESCRIPTION	DATE	APPROVED

B



Glass Wall

Glass Door slides to the left to open

Notes

1. This is a customer drawing no information is for manufacturing or production to use.
2. The engineering design is subject to change and there may be inconsistencies between this drawing and the current design.
3. All dimension are plus or minus 0.25 inches.

A

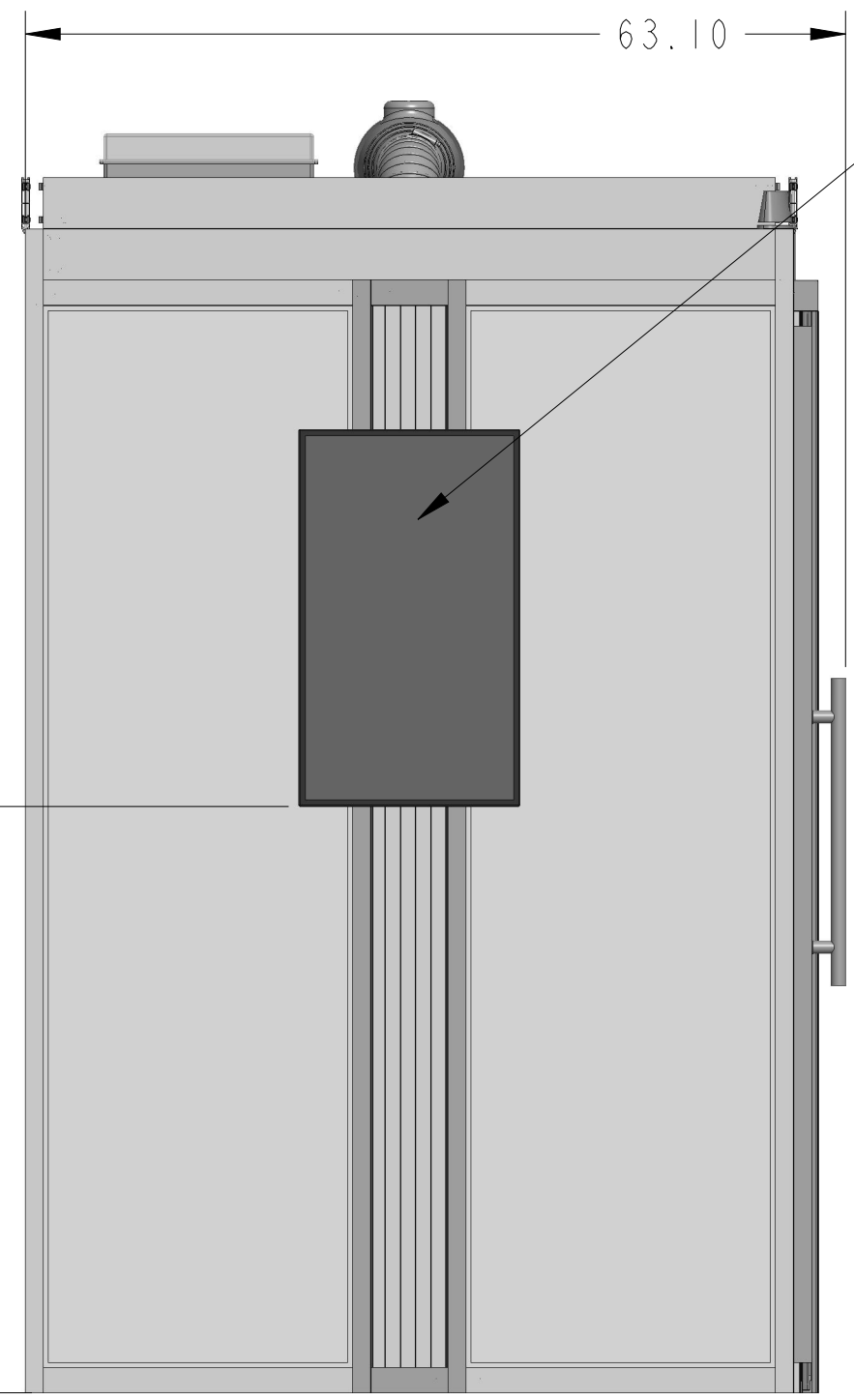
Isometric view

SCALE 0.060

<p>DO NOT SCALE FROM PRINT!</p> <p>INSPECTION</p> <p>PART STATUS:</p> <p>LEGEND: CRITICAL DIMENSION MAJOR DIMENSION MINOR DIMENSION</p> <p>THIS DRAWING IS PROPRIETARY AND CONSIDERED CONFIDENTIAL. NO REPRODUCTION MAY BE MADE WITHOUT WRITTEN PERMISSION FROM H32 DESIGN AND DEVELOPMENT LLC.</p>	<p>DWG INTERPRETATION: ASME Y14.5M-1994 UNLESS OTHERWISE SPECIFIED:</p> <p>DIMENSIONS IN: INCHES TOTAL RUNOUT: .005/INCH PERPENDICULARITY: .005/INCH EDGE BREAKS: .005 - .015 FILLET RADIUS: ±.010 MAX ANGLES: 125° SURFACE ROUGHNESS: $\sqrt{125}$</p> <p>TOLERANCES: XX.X ±.02 XX.XX ±.010 XX.XXX ±.005</p> <p>THIRD ANGLE PROJECTION</p>	<p>H32 DESIGN AND DEVELOPMENT LLC, 603-865-1000 PO BOX 234, WILMOT NH 03287, www.H32.com Advanced kiosks is a dba of H32</p>		
		<p>TITLE: Agis Booth Customer DWG</p>		
<p>SIZE: D</p>	<p>DRAWING NUMBER: H32 - 340 - C2</p>	<p>REV: -</p>	<p>SCALE:</p>	<p>SHEET: 1 OF 6</p>

ZONE	LTR	DESCRIPTION	DATE	APPROVED

B



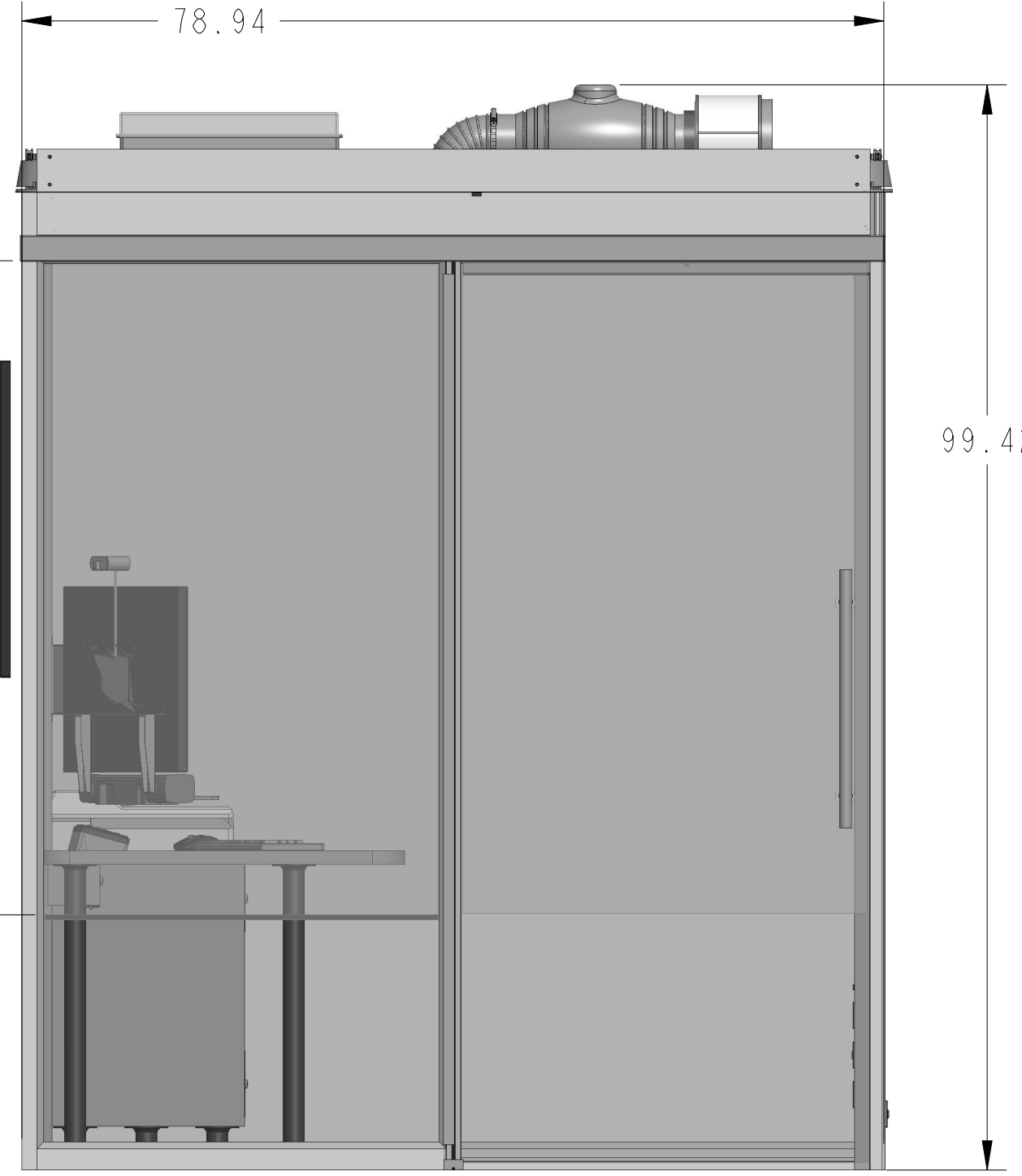
Left Side View

32 inch monitor switchable to other side

45.12

63.10

A



Front View

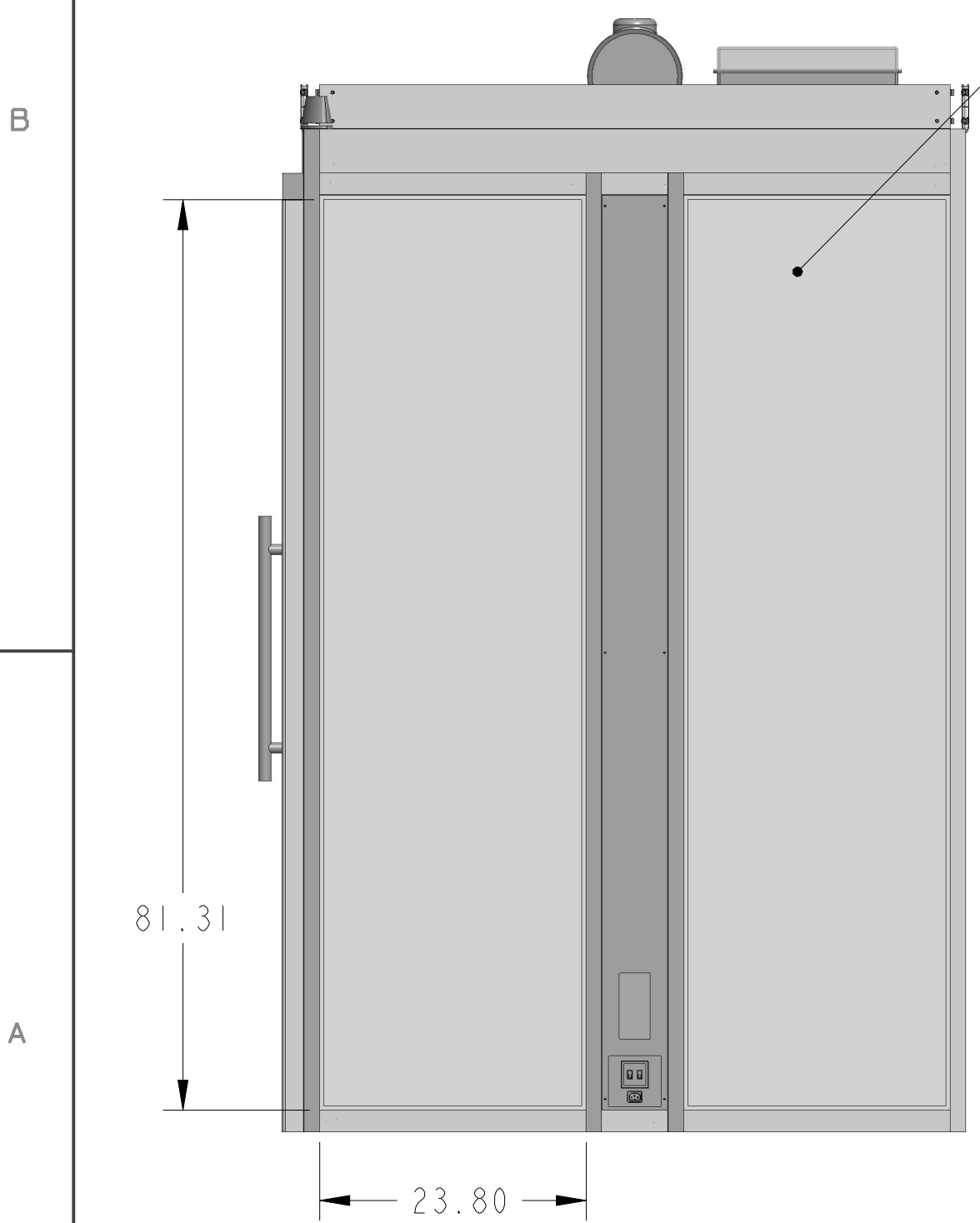
99.42

78.94

59.93
Smart Glass area

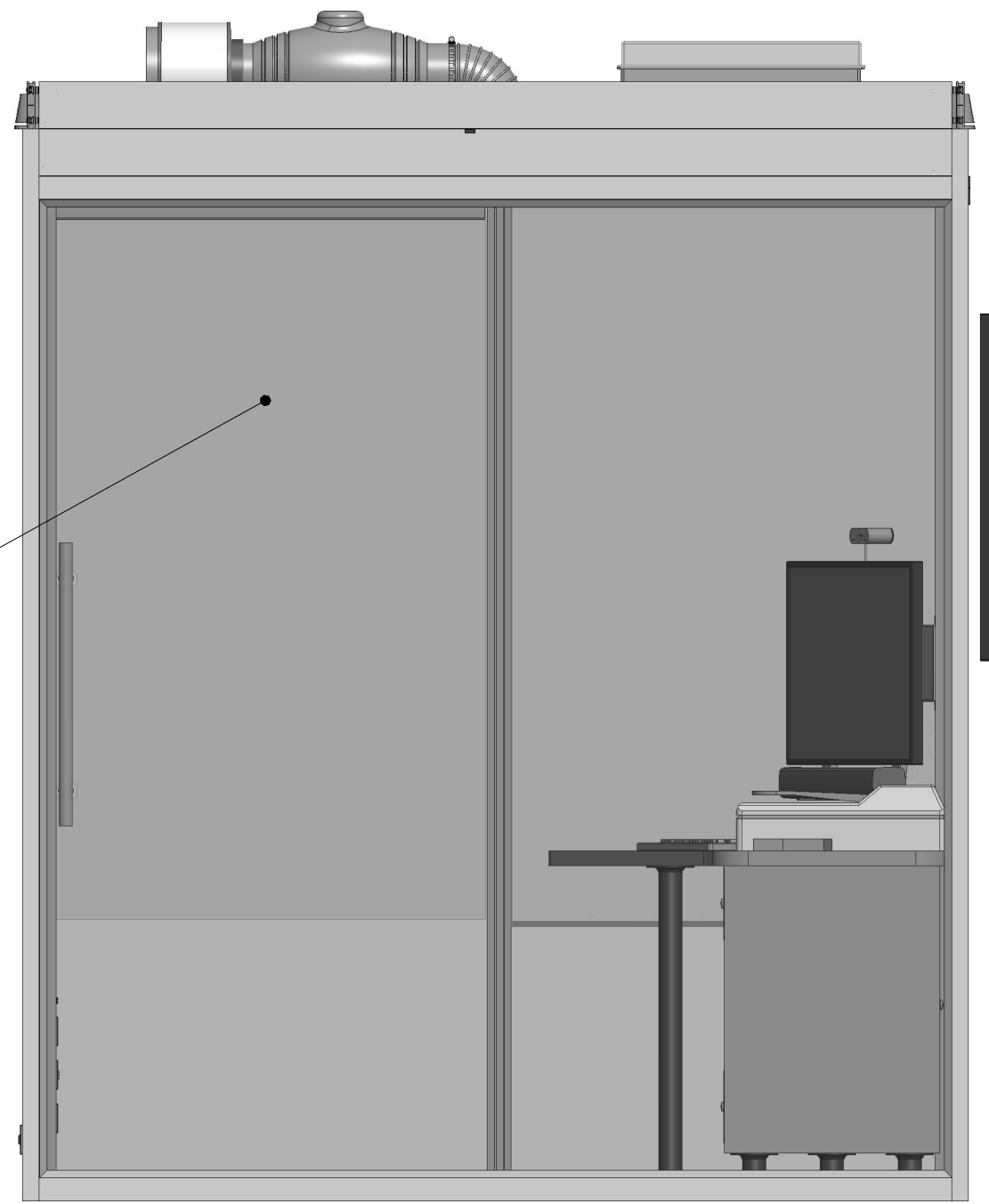
THIS DRAWING IS PROPRIETARY AND CONSIDERED CONFIDENTIAL. NO REPRODUCTION MAY BE MADE WITHOUT WRITTEN PERMISSION FROM H32 DESIGN AND DEVELOPMENT LLC. WWW.H32.COM	SIZE: B	DRAWING TITLE: Agis Booth Customer DWG	REV: -
	DWG #: H32 - 340 - C2	SHEET: 2 OF 6	

ZONE	LTR	DESCRIPTION	DATE	APPROVED



Optional Graphics Area both sides

Back wall is clear with optional frosting



SCALE 0.070

THIS DRAWING IS PROPRIETARY AND CONSIDERED CONFIDENTIAL. NO REPRODUCTION MAY BE MADE WITHOUT WRITTEN PERMISSION FROM H32 DESIGN AND DEVELOPMENT LLC. WWW.H32.COM	SIZE: B	DRAWING TITLE: Agis Booth Customer DWG	REV: -
	DWG #: H32 - 340 - C2	SHEET: 3 OF 6	

ZONE	LTR	DESCRIPTION	DATE	APPROVED

B

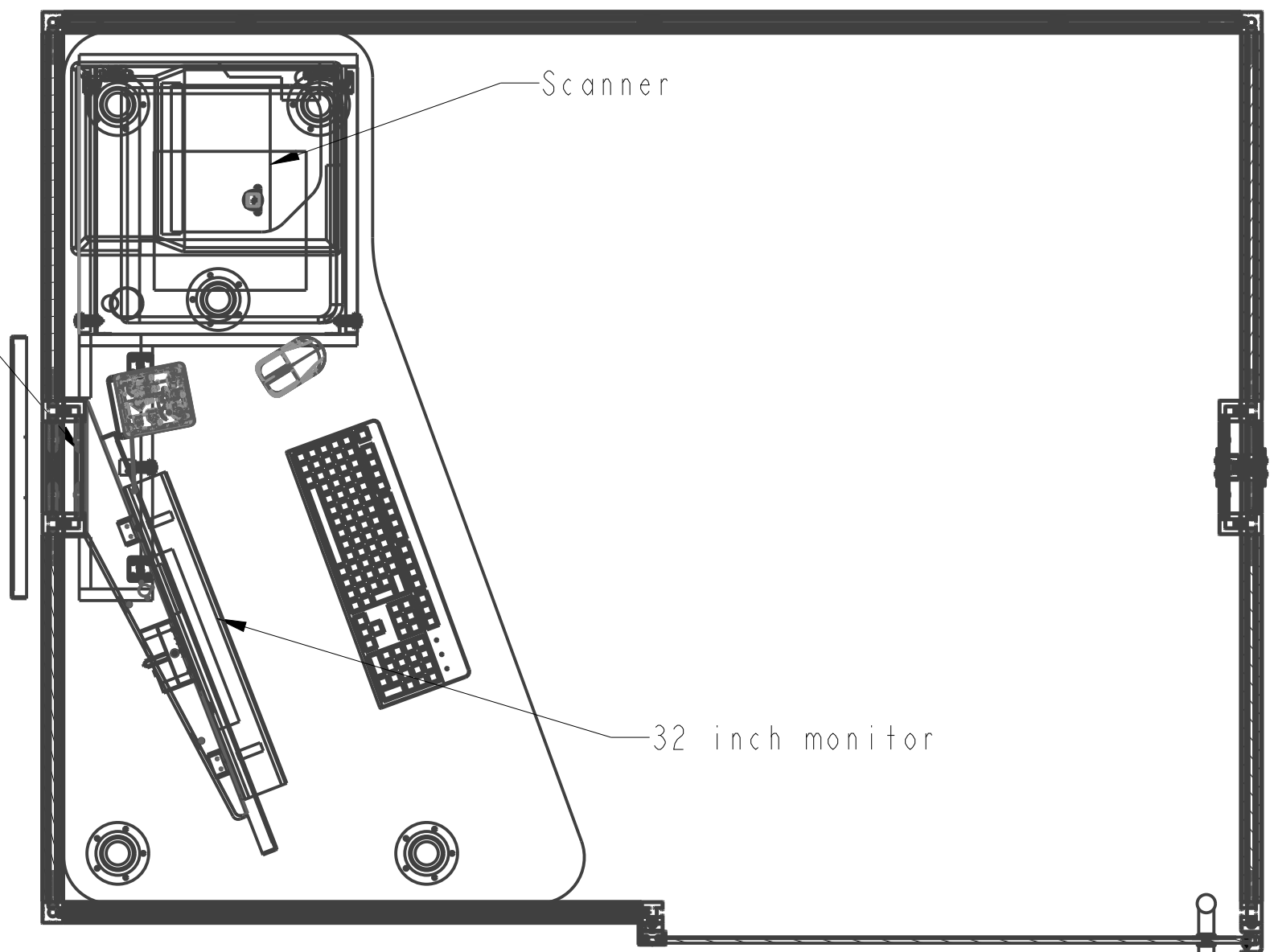
A

Main SPINE
for all wires
cable

Scanner

32 inch monitor

Door handle



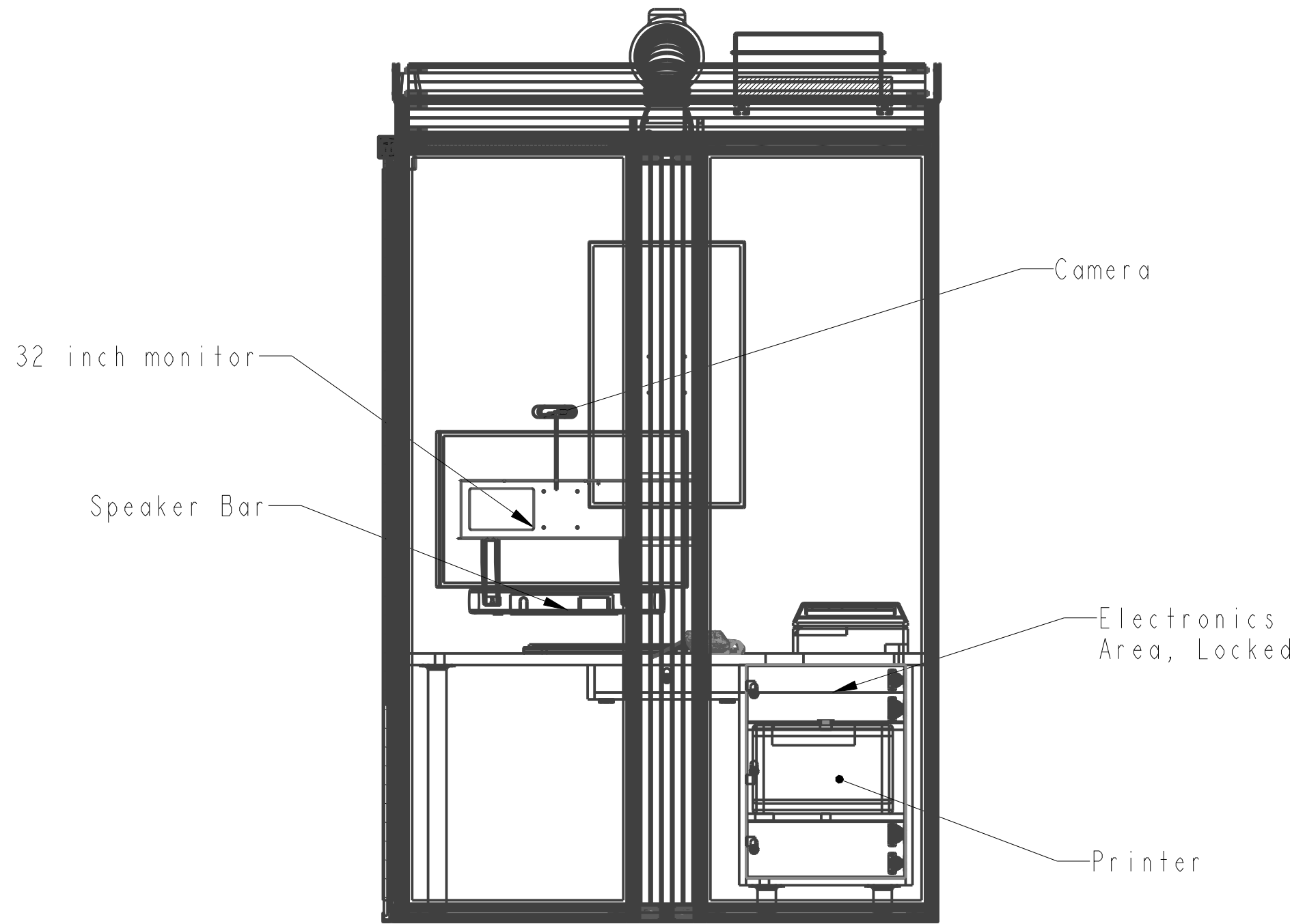
SECTION XSEC0003-XSEC0003
SCALE 0.100

THIS DRAWING IS PROPRIETARY AND CONSIDERED CONFIDENTIAL. NO REPRODUCTION MAY BE MADE WITHOUT WRITTEN PERMISSION FROM H32 DESIGN AND DEVELOPMENT LLC. WWW.H32.COM	SIZE: B	DRAWING TITLE: Agis Booth Customer DWG	REV: -
	DWG #: H32 - 340 - C2	SHEET: 4 OF 6	

ZONE	LTR	DESCRIPTION	DATE	APPROVED

B

A



32 inch monitor

Speaker Bar

Camera

Electronics Area, Locked

Printer

SECTION XSEC0004-XSEC0004
SCALE 0.070

THIS DRAWING IS PROPRIETARY AND CONSIDERED CONFIDENTIAL. NO REPRODUCTION MAY BE MADE WITHOUT WRITTEN PERMISSION FROM H32 DESIGN AND DEVELOPMENT LLC. WWW.H32.COM	SIZE:	DRAWING TITLE:	REV:
	DWG #: H32 - 340 - C2	B Agis Booth Customer DWG	-
		SHEET: 5 OF 6	

ZONE	LTR	DESCRIPTION	DATE	APPROVED

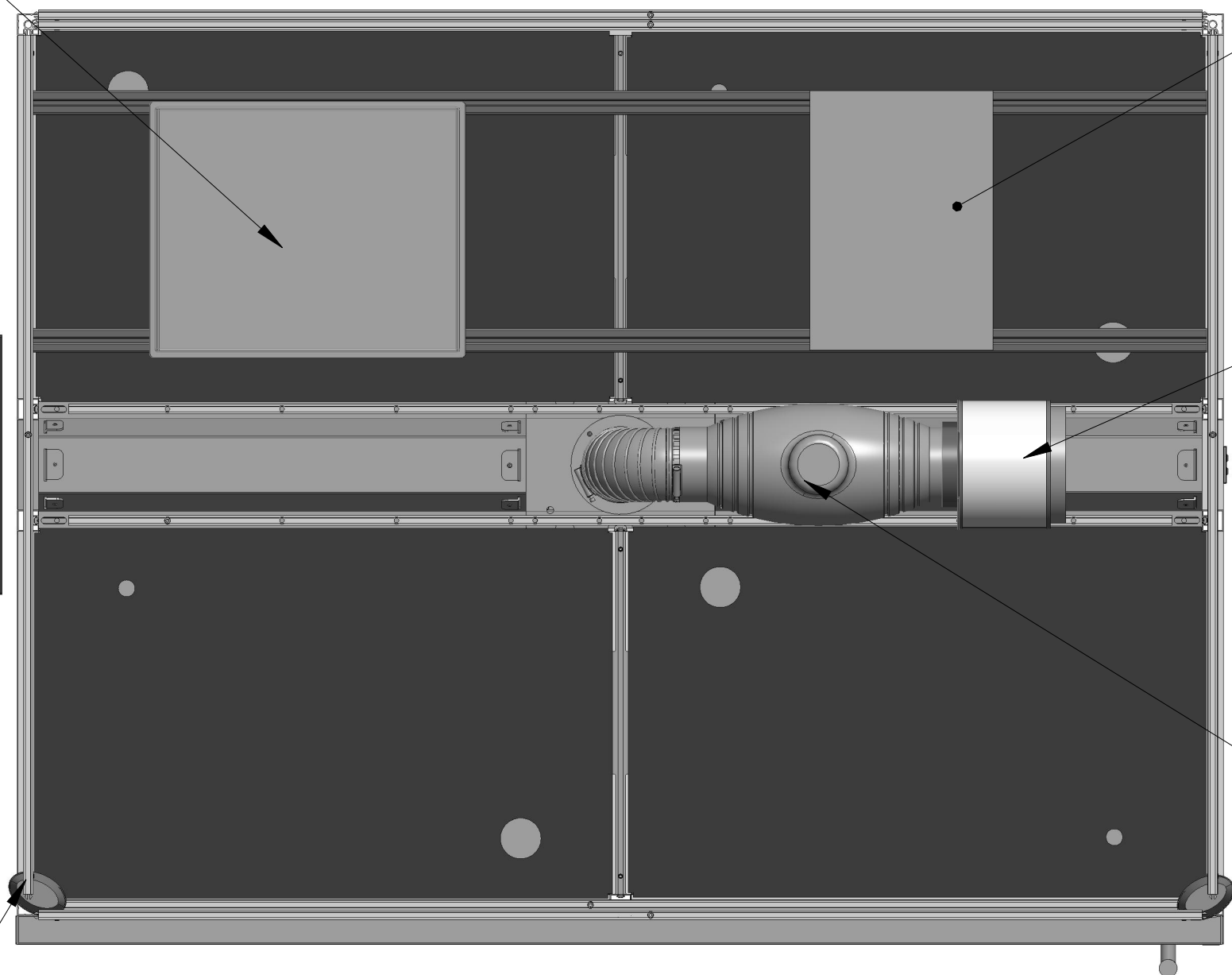
Electronic Cabinet
locked with open door
sensor

Lights & air filter
controls

HEPA Air Filter

Air Pump

Pink noise
speaker 2X



SCALE 0.100

THIS DRAWING IS PROPRIETARY AND CONSIDERED CONFIDENTIAL. NO REPRODUCTION MAY BE MADE WITHOUT WRITTEN PERMISSION FROM H32 DESIGN AND DEVELOPMENT LLC. WWW.H32.COM	SIZE:	DRAWING TITLE:	REV:
	DWG #:	H32 - 340 - C2	SHEET: 6 OF 6

B

A